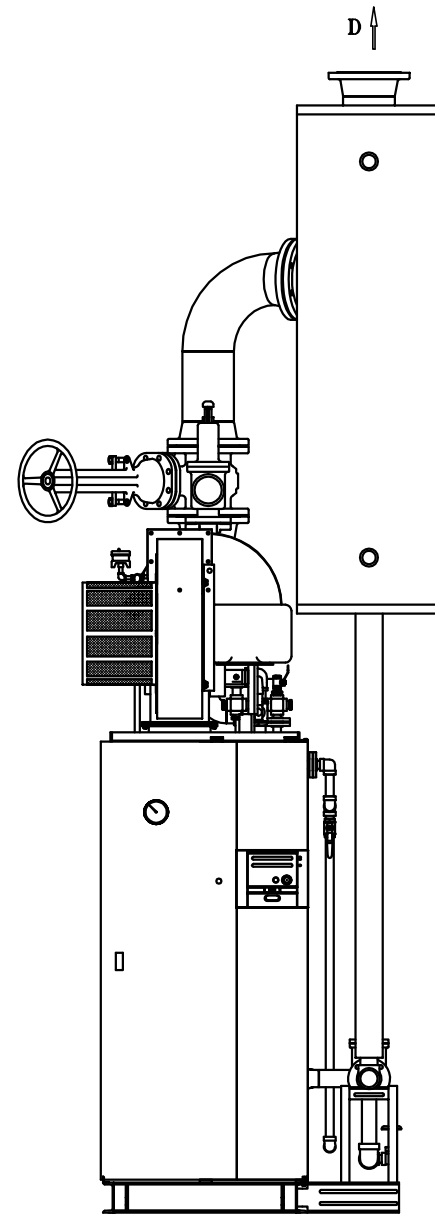
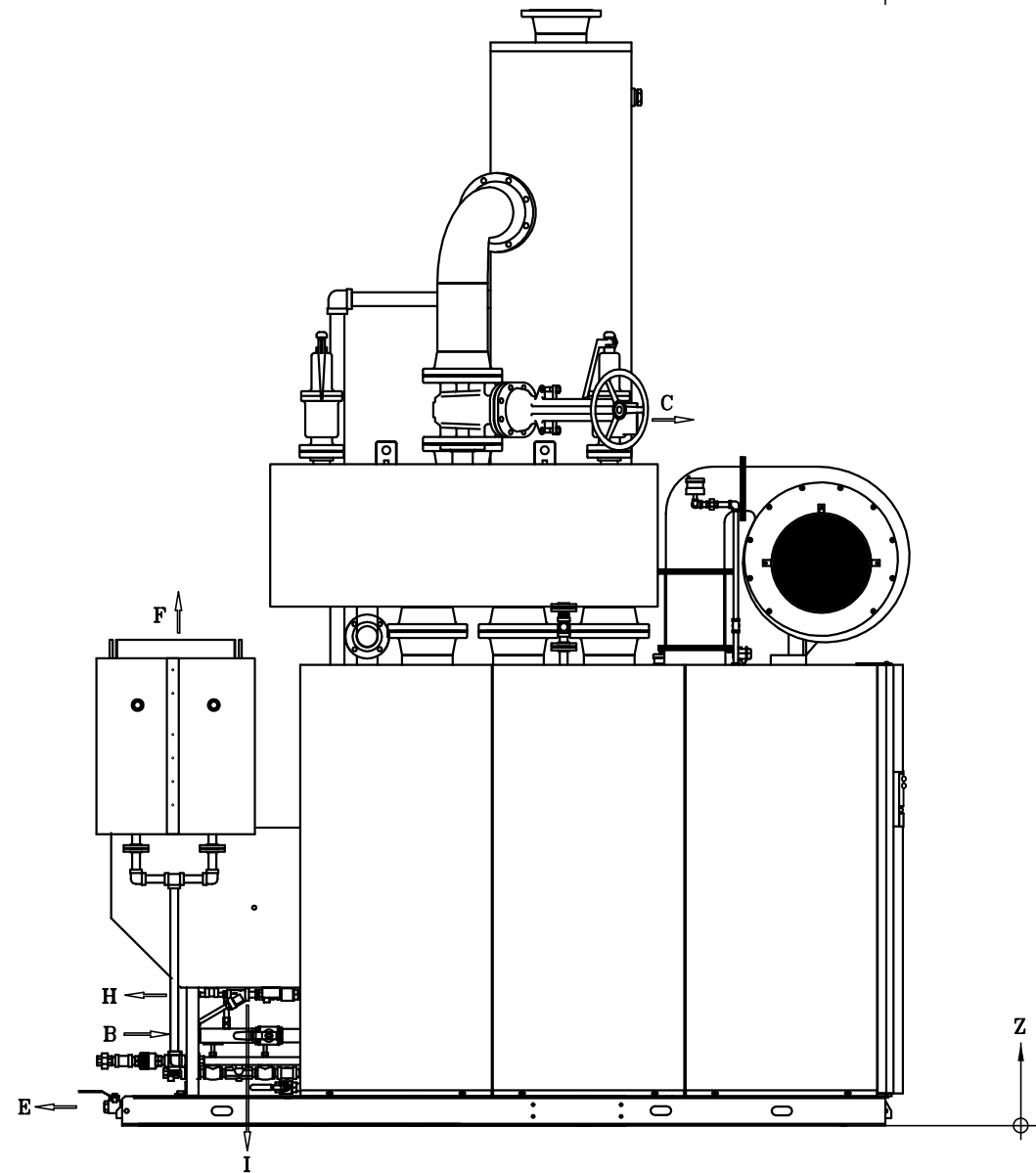
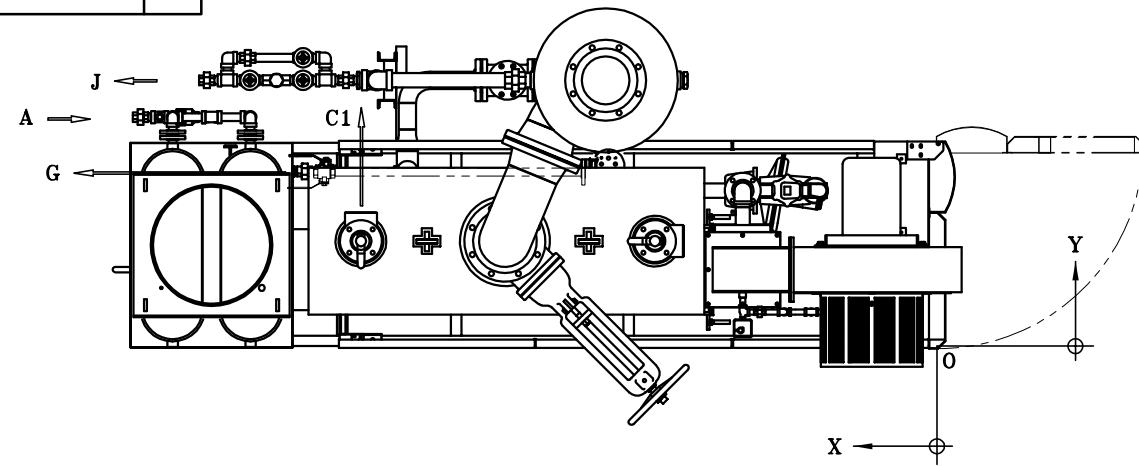


APP. TYPE	QTY
LXL-200SG-07	1



NOTES:

- 1) THIS DRAWING ILLUSTRATED WITH AN ECONOMIZER.
- 2) DIMENSIONS, SPECIFICATIONS AND SOME PIPINGS ARE SUBJECT TO CHANGE WITHOUT NOTICE.
- 3) GAS VENT PIPING SHALL BE ENFORCED IN ACCORDANCE WITH LOCAL REGULATION.

LEGEND	DIMENSION (INCHES)			
	X	Y	Z	SIZE
A FEEDWATER INLET	134	38	11	1" NPT
B SUPPLY GAS INLET	117 3/4	25 7/8	15 3/8	2" NPT
C MAIN SAFETY VALVE OUTLET (1)	42 1/4	17 1/2	120 1/2	4" NPT
C1 MAIN SAFETY VALVE OUTLET (2)	96	22 1/4	120 1/2	4" NPT
D STEAM OUTLET	55 1/4	44 1/4	190 1/8	8" FLANGE
E BOTTOM BLOW-OFF	133 1/8	12 3/4	3 1/4	1" NPT
F FLUE GAS OUTLET	120 7/8	17	82 3/8	ø20"ID DUCT
G L. V. CONTROL BLOW-OFF	103 7/8	29	6 1/2	1" NPT
H AUTOMATIC BLOWDOWN	118 5/8	29 1/8	22 3/8	3/8" NPT
I ECONOMIZER DRAIN	104 5/8	12 3/4	21 5/8	2" NPT
J SEPARATOR BLOWDOWN	123	44 1/4	9	1" NPPT
O BOILER CORNER	0	0	0	-

NO	NAME OF PART	MATERIAL	QTY	REMARKS / DRAWING #
DWN.: ALAN	CK'D.:	SCALE: NTS	DO NOT SCALE	

<p align="center">" CONFIDENTIAL "</p> <p>THIS MATERIAL IS THE PROPERTY OF MIURA BOILER CO., LTD., AND MUST NOT BE REPRODUCED, PUBLISHED OR DISCLOSED TO OTHERS WITHOUT AUTHORIZATION.</p>	SYM	REVISION	DATE	BY	DATE: MAY.22,07	APPROVED:	THIRD ANGLE SYSTEM	DIM'N SHOWN ARE INCH
	CAD DWG - NO MANUAL CHANGES PERMITTED					<b>MIURA BOILER CO., LTD.</b> BRANTFORD, ONTARIO, CANADA	DESCRIPTION: ORIENTATION OF IN & OUTLET	DRAWING NUMBER A000-XL20-0R52