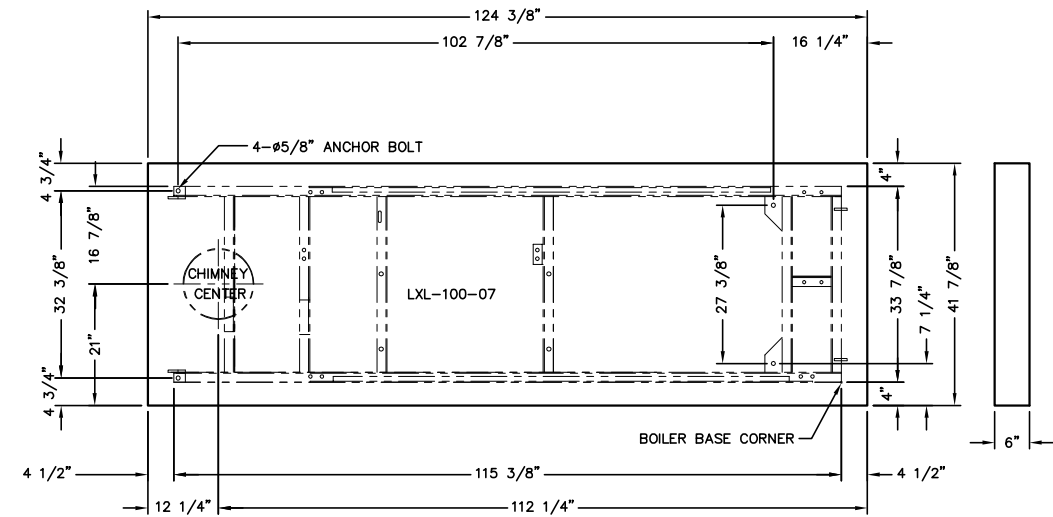
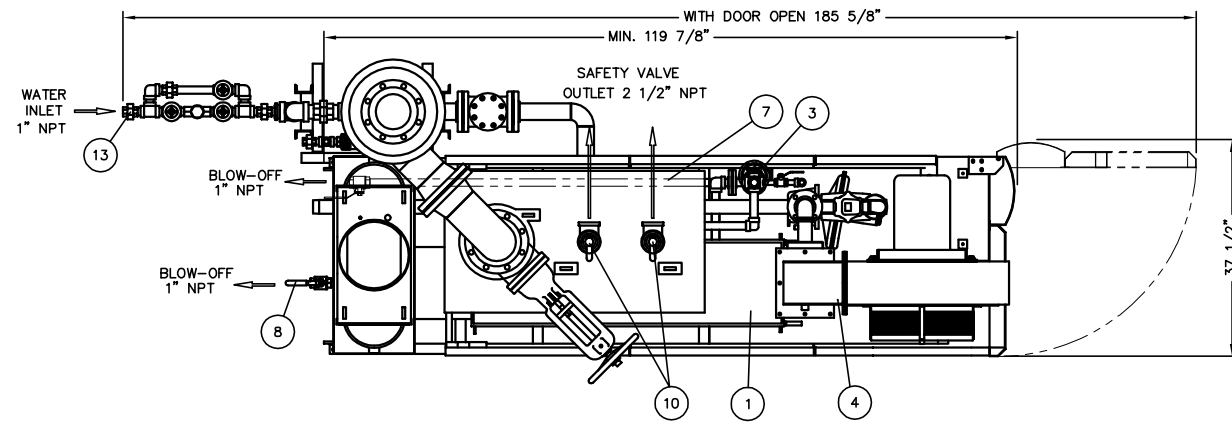
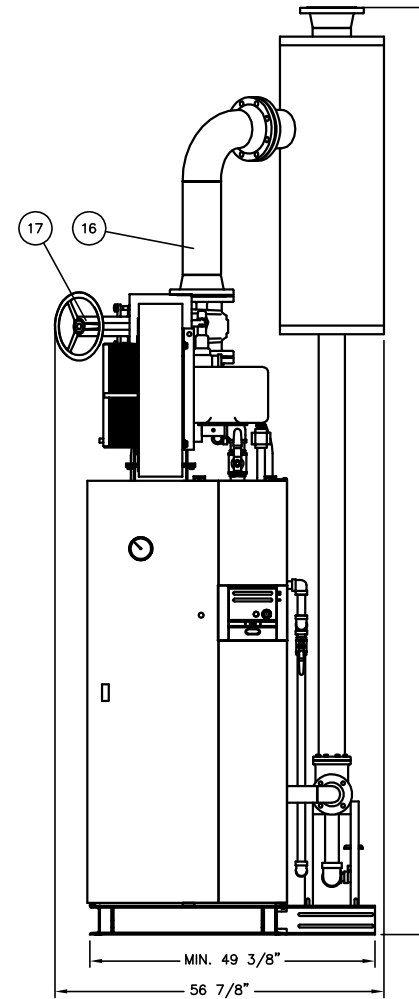
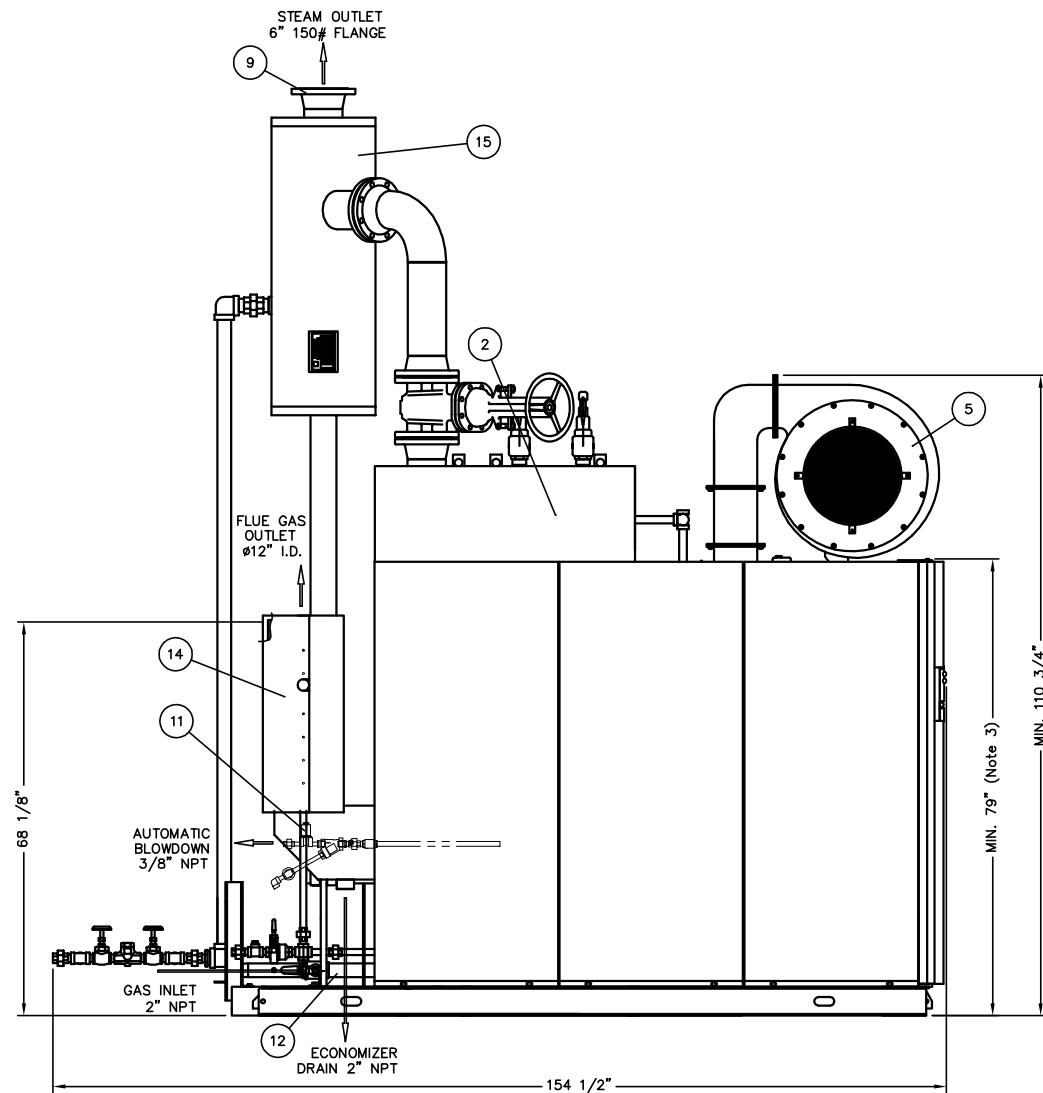


APP. TYPE	QTY
LXL-100SG-07	1



BOILER FOUNDATION



NOTE:

- 1) DIMENSIONS, SPECIFICATIONS AND SOME PIPINGS ARE SUBJECT TO CHANGE WITHOUT NOTICE.
- 2) EXTERNAL STEAM SEPARATOR AND ASSEMBLY PARTS (ITEM 15-18) ARE SHIPPED SEPARATELY.
- 3) MINIMUM HEIGHT WITH SEPARATOR & BLOWER ASSY DISMANTLED.

18	SEPARATOR BLOWDOWN		1	1"
17	STEAM VALVE		1	6"
16	SEPARATOR PIPE		1	
15	EXTERNAL S. SEPARATOR		1	
14	ECONOMIZER		1	ø12" I.D.
13	FEEDWATER PIPING		1	1"
12	MAIN GAS TRAIN		1	2"
11	AUTOMATIC BLOWDOWN		1	3/8"
10	MAIN SAFETY VALVE		2	2" x J x 2 1/2"
9	STEAM OUTLET FLANGE		1	6"
8	MANUAL BLOW-OFF		1	1"
7	MANUAL BLOW-OFF		1	1"
6	CONTROL BOX		1	
5	BLOWER		1	
4	WIND BOX		1	
3	LIQUID VOLUME CONTROLLER		1	
2	STEAM SEPARATOR		1	
1	BOILER VESSEL		1	

NO.	NAME OF PART	MATERIAL	QTY	REMARKS / DRAWING #
DWN.:	ALAN	CK'D.:		SCALE: NTS DO NOT SCALE

SYM	REVISION	DATE	BY	DATE: MAY.15,07	APPROVED:	THIRD ANGLE SYSTEM	DIM'N SHOWN ARE INCH
CAD DWG - NO MANUAL CHANGES PERMITTED				MUIRA BOILER CO. LTD. BRANTFORD, ONTARIO, CANADA		DESCRIPTION: BOILER ASS'Y OUTSIDE VIEW	
						DRAWING NUMBER A000-XL10-OW51	

" CONFIDENTIAL "

THIS MATERIAL IS THE PROPERTY OF MUIRA BOILER CO., LTD., AND MUST NOT BE REPRODUCED, PUBLISHED OR DISCLOSED TO OTHERS WITHOUT AUTHORIZATION.