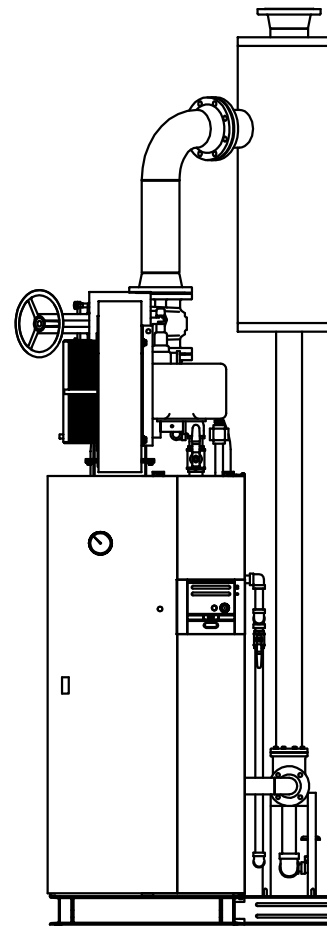
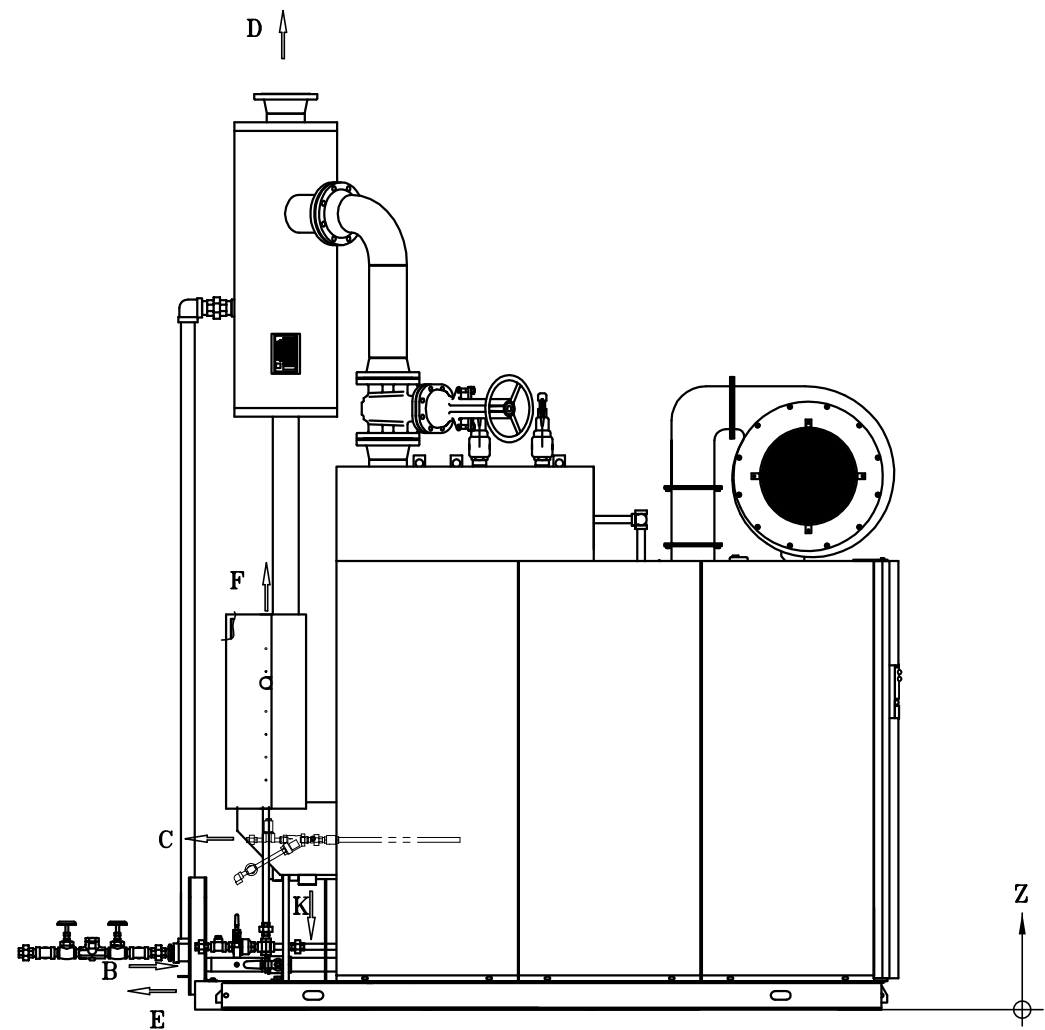
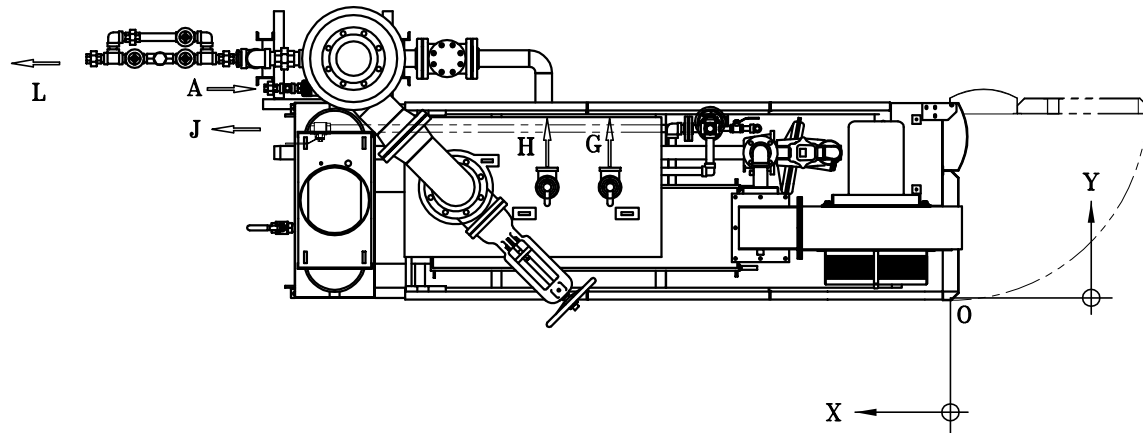


APP. TYPE	QTY
LXL-100SG-07	1



NOTE:

- 1) THIS DRAWING ILLUSTRATED WITH AN ECONOMIZER.
- 2) DIMENSIONS, SPECIFICATIONS AND SOME PIPINGS ARE SUBJECT TO CHANGE WITHOUT NOTICE.
- 3) GAS VENT PIPING SHALL BE ENFORCED IN ACCORDANCE WITH LOCAL REGULATION.
- 4) ECONOMIZER SAFETY VALVE IS APPLIED FOR CANADA BOILER ONLY.

LEGEND		DIMENSION (INCHES)			
		X	Y	Z	SIZE
A	FEEDWATER INLET	120 1/8	36 5/8	11	1" NPT
B	SUPPLY GAS INLET	118 1/4	25 3/8	7 7/8	2" NPT
C	AUTOMATIC BLOWDOWN	111 1/8	26 1/4	29 3/4	3/8" NPT
D	STEAM OUTLET	104 1/2	41 7/8	160 1/4	6" FLANGE
E	BOTTOM BLOW-OFF	118 3/4	12 1/4	3 1/4	1" NPT
F	FLUE GAS OUTLET	107 3/4	17	68 1/8	ø12"ID DUCT
G	MAIN SAFETY VALVE OUTLET (1)	59 5/8	22 3/4	98 1/2	2 1/2" NPT
H	MAIN SAFETY VALVE OUTLET (2)	70 5/8	22 3/4	98 1/2	2 1/2" NPT
J	L. V. CONTROL BLOW-OFF	112	29 5/8	6 1/2	1" NPT
K	ECONOMIZER DRAIN	100 1/4	12 1/4	21 7/8	2" NPT
L	SEPARATOR BLOWDOWN	151 1/4	41 7/8	9 7/8	1" NPT
O	BOILER CORNER	0	0	0	-

NO	NAME OF PART	MATERIAL	QTY	REMARKS / DRAWING #
DWN.: ALAN	CK'D.:	SCALE: NTS	DO NOT SCALE	

<p style="text-align: center;">" CONFIDENTIAL "</p> <p style="font-size: small;">THIS MATERIAL IS THE PROPERTY OF MIURA BOILER CO., LTD., AND MUST NOT BE REPRODUCED, PUBLISHED OR DISCLOSED TO OTHERS WITHOUT AUTHORIZATION.</p>	SYM	REVISION	DATE	BY	DATE: MAY.22,07	APPROVED:	THIRD ANGLE SYSTEM	DIM'N SHOWN ARE INCH
	CAD DWG - NO MANUAL CHANGES PERMITTED					MIURA BOILER CO., LTD. <small>BRANTFORD, ONTARIO, CANADA</small>		DESCRIPTION: ORIENTATION OF IN & OUTLET
								DRAWING NUMBER A000-XL10-0R51