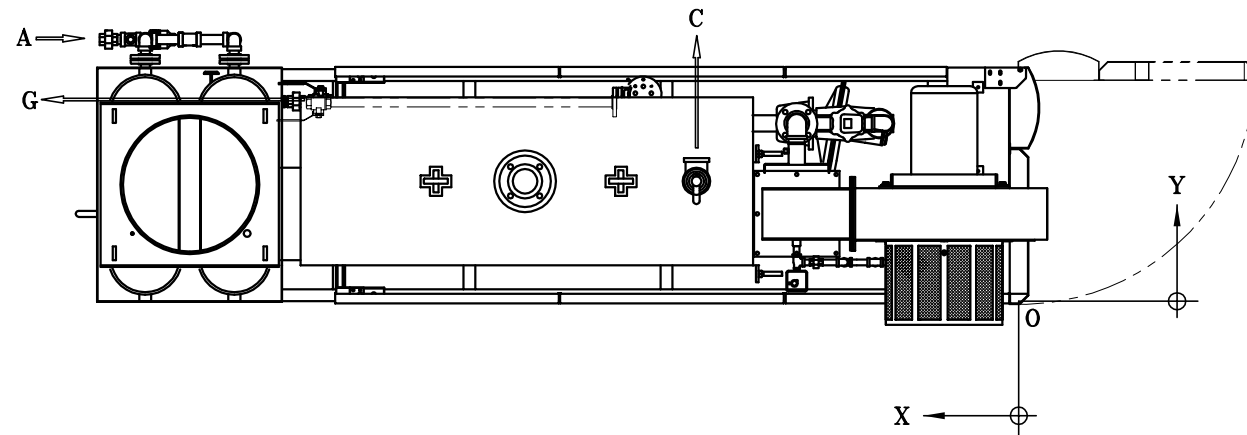


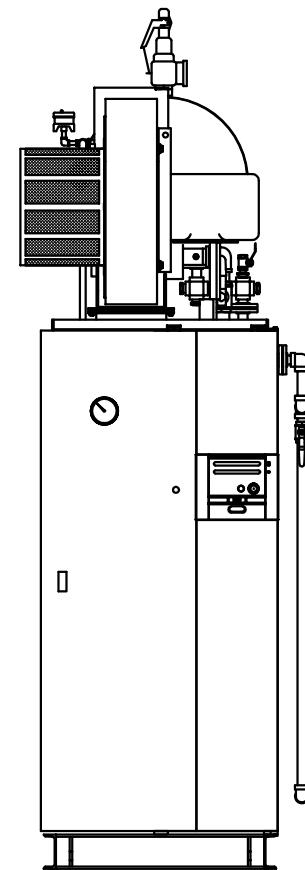
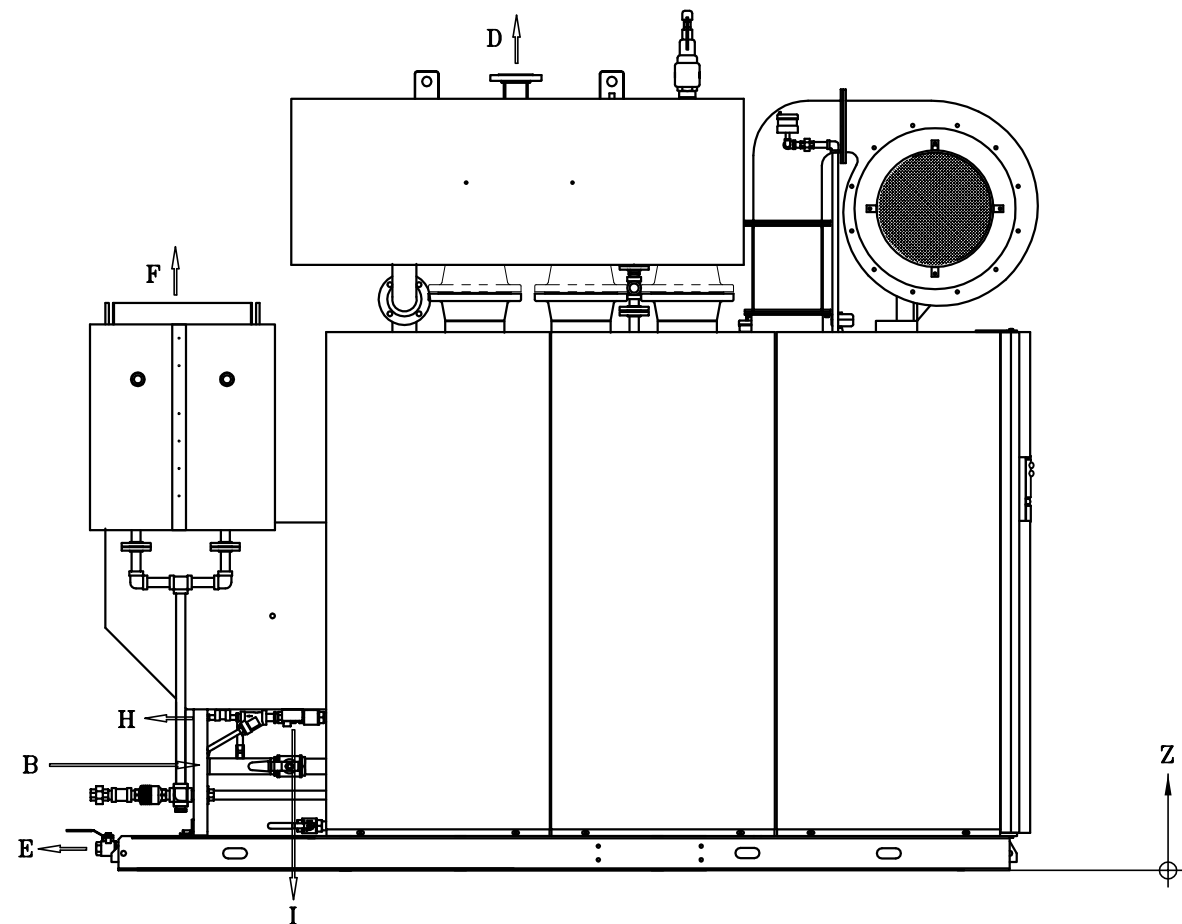
APP. TYPE	QTY
LX-150SG-07	1

NOTE:

- 1) THIS DRAWING ILLUSTRATED WITH AN ECONOMIZER.
- 2) DIMENSIONS, SPECIFICATIONS AND SOME PIPINGS ARE SUBJECT TO CHANGE WITHOUT NOTICE.
- 3) GAS VENT PIPING SHALL BE ENFORCED IN ACCORDANCE WITH LOCAL REGULATION.



LEGEND	DIMENSION (INCHES)			
	X	Y	Z	SIZE
A FEEDWATER INLET	134	38 1/8	11	1" NPT
B SUPPLY GAS INLET	117 3/4	25 7/8	15 1/8	2" NPT
C MAIN SAFETY VALVE OUTLET	47	20 7/8	116	2 1/2" NPT
D STEAM OUTLET	72	17 1/2	116	3" FLANGE
E BOTTOM BLOW-OFF	133 1/4	12 3/4	3 1/4	1" NPT
F FLUE GAS OUTLET	120 5/8	17	82 3/4	ø20"ID DUCT
G L. V. CONTROL BLOW-OFF	103 7/8	29	6 1/2	1" NPT
H AUTOMATIC BLOWDOWN	118 5/8	29 1/8	22 3/8	3/8" NPT
I ECONOMIZER DRAIN	104 7/8	12 3/4	21 7/8	2" NPT
O BOILER CORNER	0	0	0	-



NO	NAME OF PART	MATERIAL	QTY	REMARKS / DRAWING #
DWN.: ALAN	CK'D.:	SCALE: NTS	DO NOT SCALE	

<p style="text-align: center;">" CONFIDENTIAL "</p> <p>THIS MATERIAL IS THE PROPERTY OF MIURA BOILER CO., LTD., AND MUST NOT BE REPRODUCED, PUBLISHED OR DISCLOSED TO OTHERS WITHOUT AUTHORIZATION.</p>	SYM	REVISION	DATE	BY	DATE: MAY 22,07	APPROVED:	THIRD ANGLE SYSTEM	DIM'N SHOWN ARE INCH
	CAD DWG - NO MANUAL CHANGES PERMITTED					MIURA BOILER CO., LTD. <small>BRANTFORD, ONTARIO, CANADA</small>	DESCRIPTION: ORIENTATION OF IN & OUTLET	DRAWING NUMBER A000-LX15-OR52