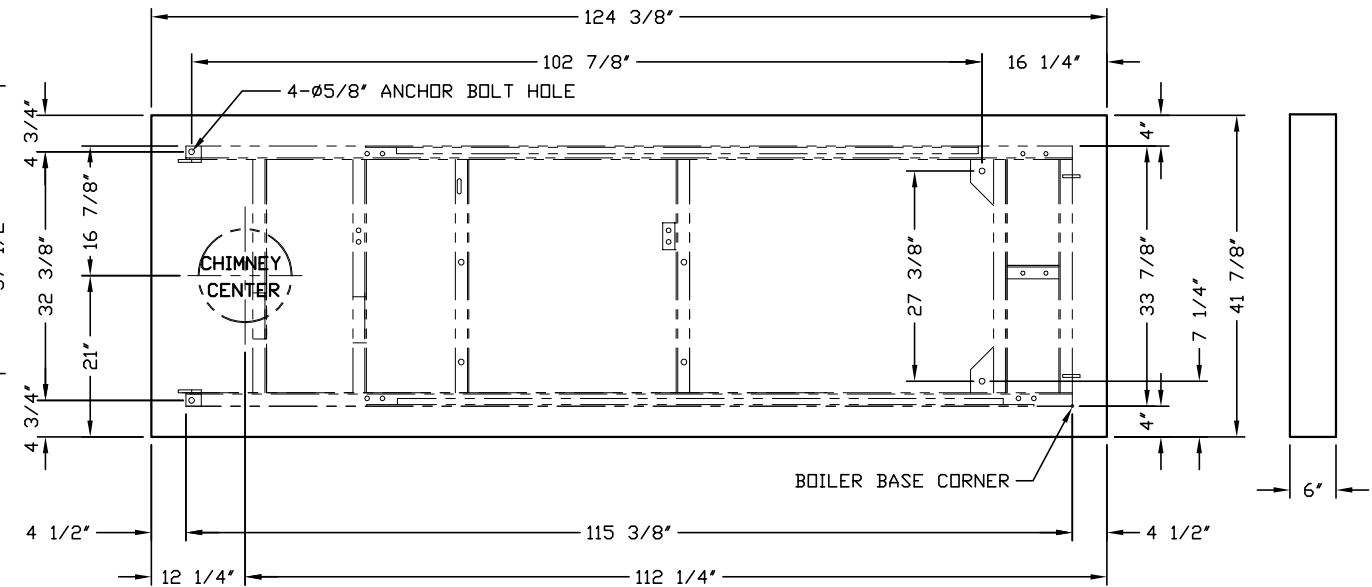
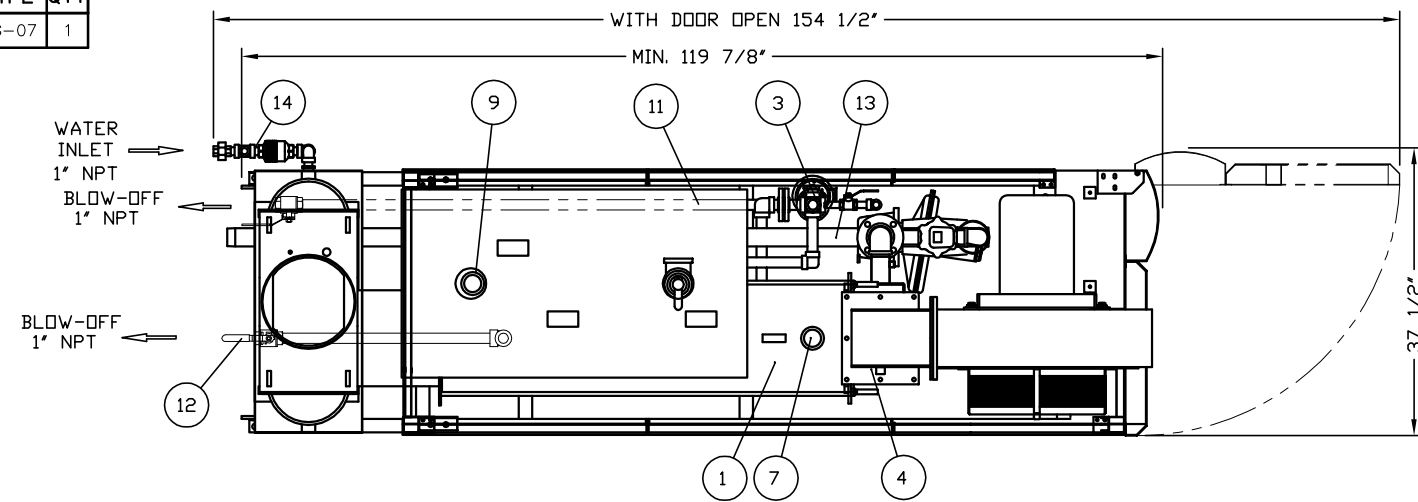
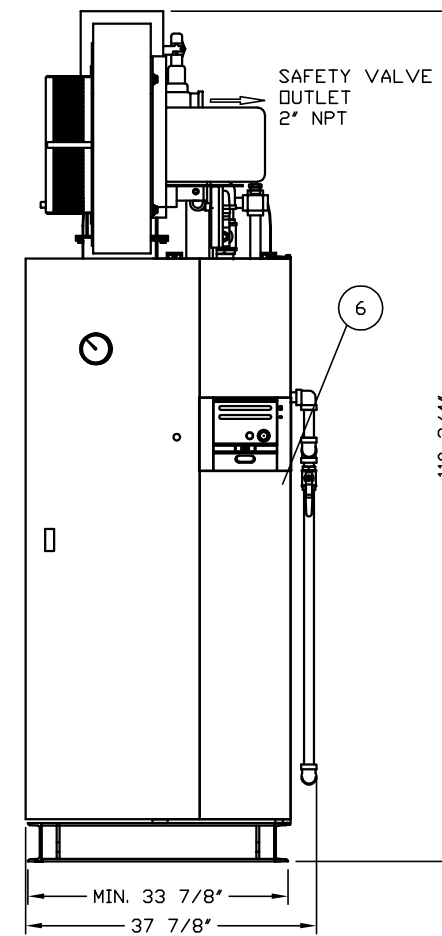
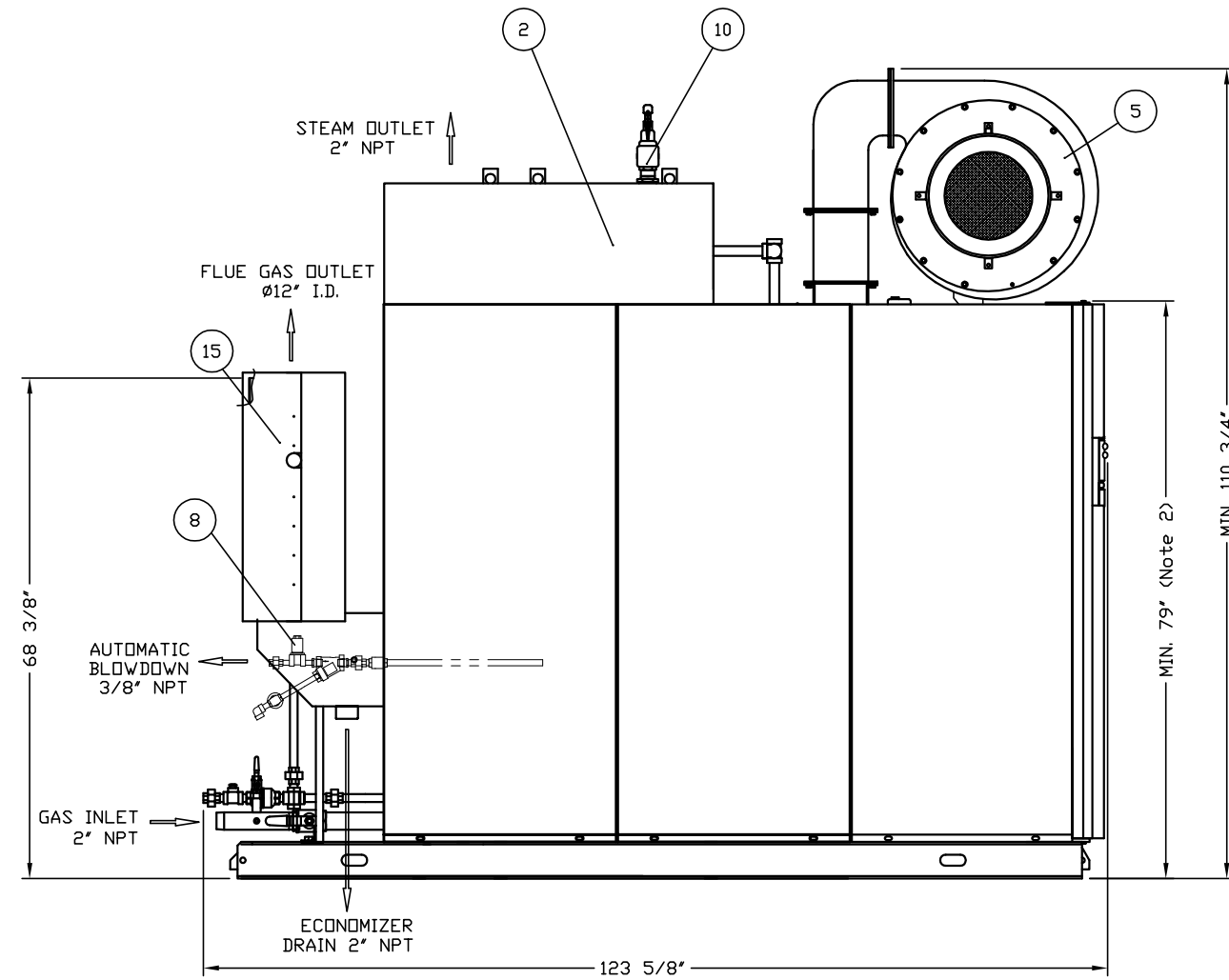


APP. TYPE	QTY
LX-100SG-07	1



BOILER FOUNDATION



NOTE:

- 1) DIMENSIONS, SPECIFICATIONS AND SOME PIPINGS ARE SUBJECT TO CHANGE WITHOUT NOTICE.
- 2) MINIMUM HEIGHT WITH SEPARATOR & BLOWER ASSY DISMANTLED.

15	ECONOMIZER		1	ø12" I.D.
14	FEEDWATER PIPING		1	1"
13	MAIN GAS TRAIN		1	2"
12	MANUAL BLOW-OFF		1	1"
11	MANUAL BLOW-OFF		1	1"
10	MAIN SAFETY VALVE		1	1 1/2" x H x 2"
9	STEAM OUTLET		1	2"
8	AUTOMATIC BLOWDOWN		1	3/8"
7	INSPECTION HOLE		2	2"
6	CONTROL BOX		1	
5	BLOWER		1	
4	WIND BOX		1	
3	LIQUID VOLUME CONTROLLER		1	
2	STEAM SEPARATOR		1	
1	BOILER VESSEL		1	

NO.	NAME OF PART	MATERIAL	QTY	REMARKS / DRAWING #
DWN.:	ALAN	CK'D.:		SCALE: NON DO NOT SCALE

" CONFIDENTIAL "

THIS MATERIAL IS THE PROPERTY OF MIURA BOILER CO., LTD., AND MUST NOT BE REPRODUCED, PUBLISHED OR DISCLOSED TO OTHERS WITHOUT AUTHORIZATION.

SYM	REVISION	DATE	BY	DATE: MAY.14,07	APPROVED:	THIRD ANGLE SYSTEM	DIM'N SHOWN ARE INCH
CAD DWG - NO MANUAL CHANGES PERMITTED						DESCRIPTION: BOILER ASS'Y OUTSIDE VIEW	DRAWING NUMBER A000-LX10-0W53