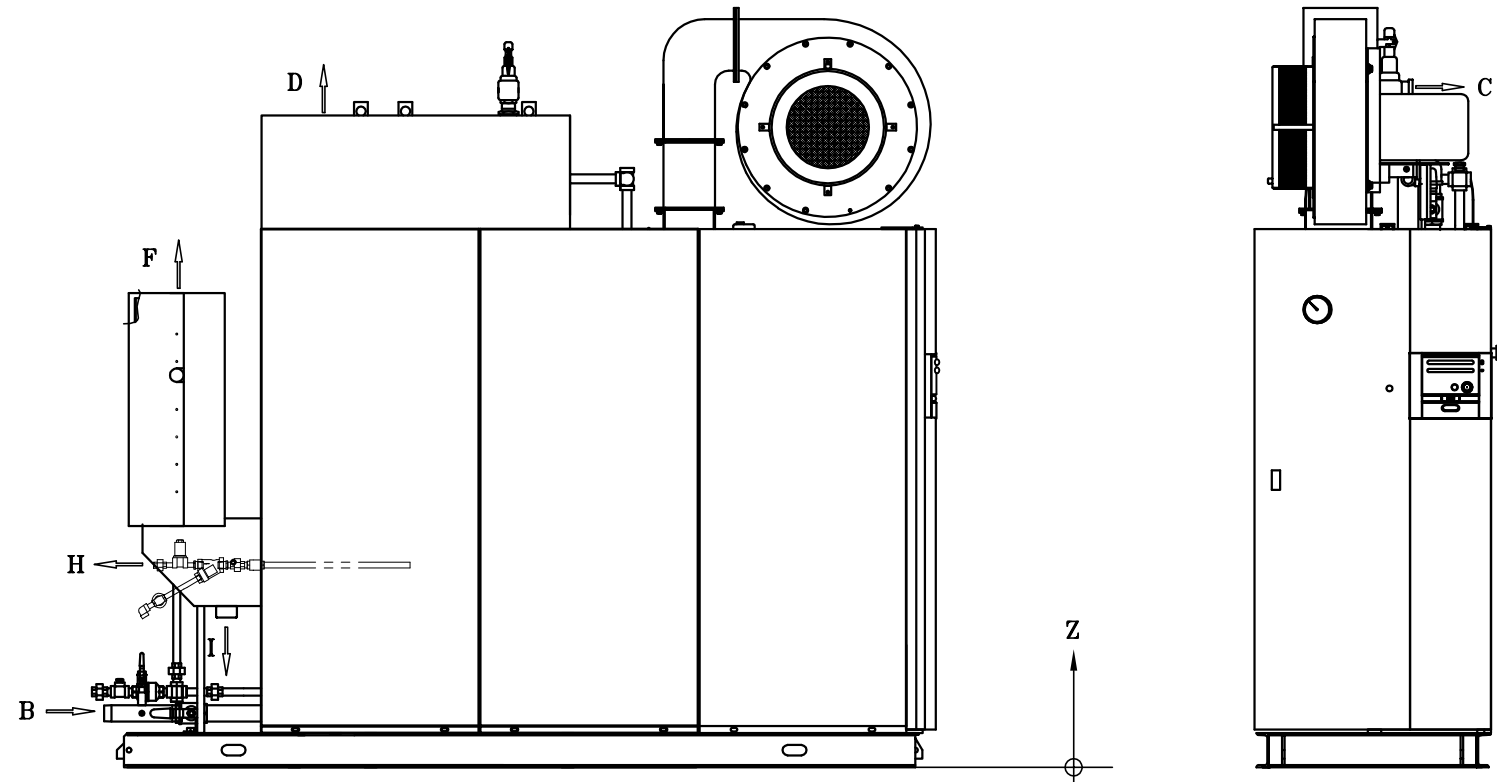
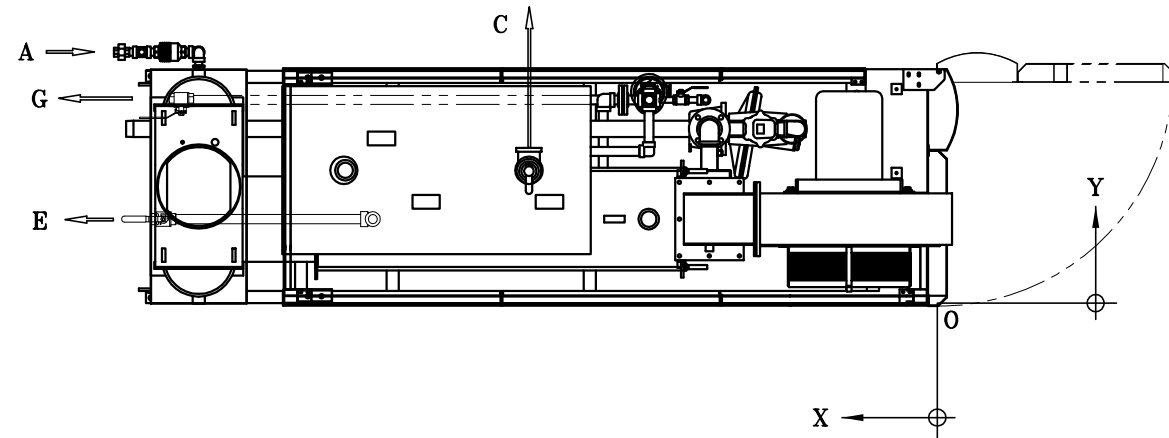


APP. TYPE	QTY
LX-100SG-07	1



**NOTE:**

- 1) THIS DRAWING ILLUSTRATED WITH AN ECONOMIZER.
- 2) DIMENSIONS, SPECIFICATIONS AND SOME PIPINGS ARE SUBJECT TO CHANGE WITHOUT NOTICE.
- 3) GAS VENT PIPING SHALL BE ENFORCED IN ACCORDANCE WITH LOCAL REGULATION.

LEGEND		DIMENSION (INCHES)			
		X	Y	Z	SIZE
A	FEEDWATER INLET	120 1/8	36 5/8	11	1" NPT
B	SUPPLY GAS INLET	118 1/4	25 3/8	7 7/8	2" NPT
C	MAIN SAFETY VALVE OUTLET	59 5/8	22 5/8	98 3/8	2" NPT
D	STEAM OUTLET	86 5/8	19 3/8	94 3/4	2" NPT
E	BOTTOM BLOW-OFF	114 3/8	12 1/4	3 1/4	1" NPT
F	FLUE GAS OUTLET	107 3/4	17	69 1/8	ø12"ID DUCT
G	L. V. CONTROL BLOW-OFF	112	29 5/8	6 1/2	1" NPT
H	AUTOMATIC BLOWDOWN	111 1/8	26 1/4	29 1/2	3/8" NPT
I	ECONOMIZER DRAIN	100 1/2	12 1/4	21 3/4	2" NPT
O	BOILER CORNER	0	0	0	-

NO	NAME OF PART	MATERIAL	QTY	REMARKS / DRAWING #
DWN.: ALAN	CK'D.:	SCALE: NTS	DO NOT SCALE	

<p align="center"><b>" CONFIDENTIAL "</b></p> <p>THIS MATERIAL IS THE PROPERTY OF MIURA BOILER CO., LTD., AND MUST NOT BE REPRODUCED, PUBLISHED OR DISCLOSED TO OTHERS WITHOUT AUTHORIZATION.</p>	SYM	REVISION	DATE	BY	DATE: MAY 22,07	APPROVED:	THIRD ANGLE SYSTEM	DIM'N SHOWN ARE INCH
	CAD DWG - NO MANUAL CHANGES PERMITTED					<b>MIURA BOILER CO., LTD.</b> BRANTFORD, ONTARIO, CANADA		DESCRIPTION: ORIENTATION OF IN & OUTLET