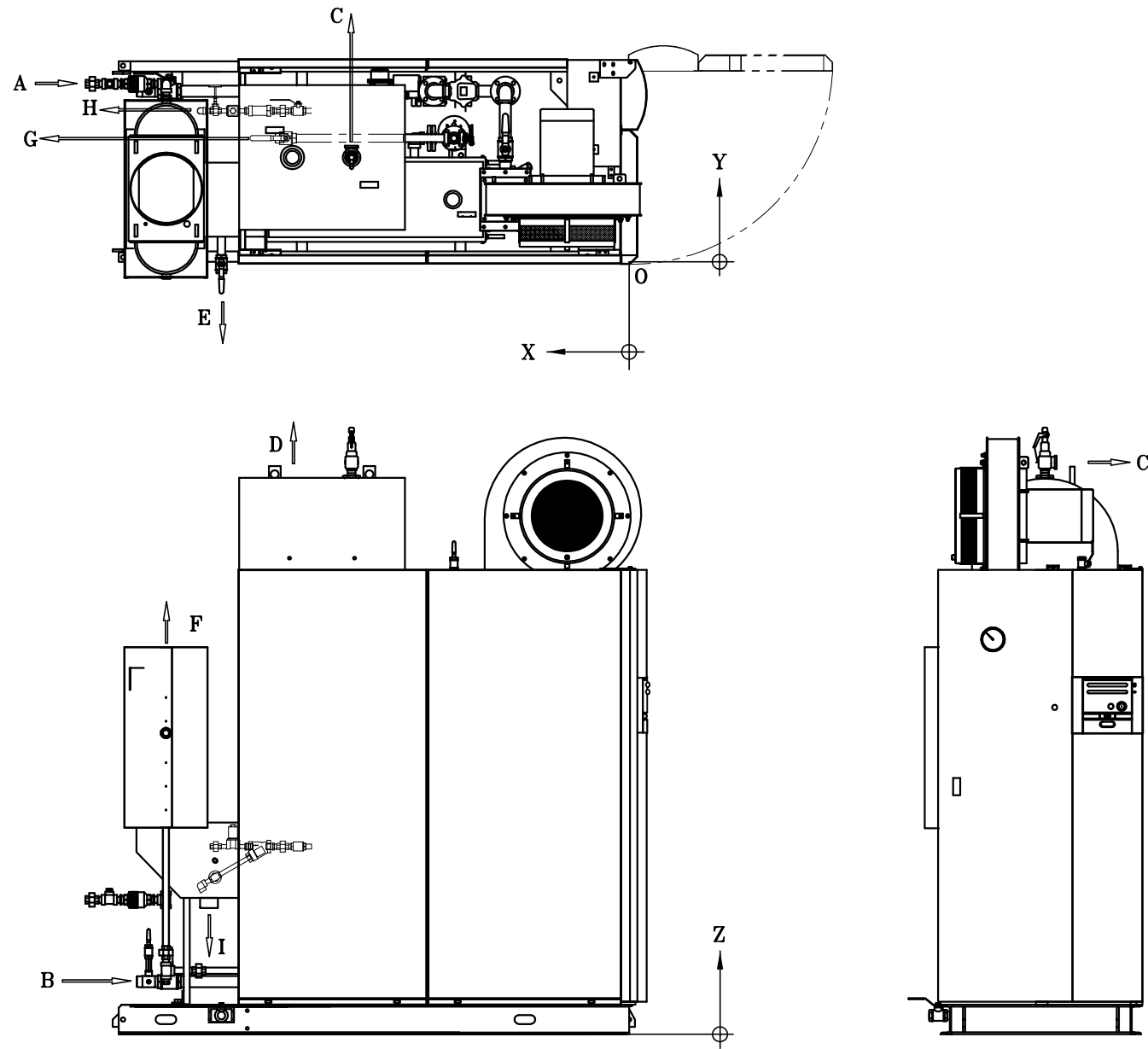


APP. TYPE	QTY
LX-50SG-07	1



NOTE:

- 1) THIS DRAWING ILLUSTRATED WITH AN ECONOMIZER.
- 2) DIMENSIONS, SPECIFICATIONS AND SOME PIPINGS ARE SUBJECT TO CHANGE WITHOUT NOTICE.
- 3) GAS VENT PIPING SHALL BE ENFORCED IN ACCORDANCE WITH LOCAL REGULATION.

LEGEND		DIMENSION (INCHES)			
		X	Y	Z	SIZE
A	FEEDWATER INLET	92	30	15 3/4	3/4" NPT
B	SUPPLY GAS INLET	83 1/4	28 3/4	9	1 1/2" NPT
C	MAIN SAFETY VALVE OUTLET	46 7/8	19 5/8	96 5/8	1 1/4" NPT
D	STEAM OUTLET	56 7/8	17 5/8	93 5/8	2" NPT
E	BOTTOM BLOW-OFF	68 7/8	1 7/8	3 1/4	1" NPT
F	FLUE GAS OUTLET	78 1/4	12 1/4	61 7/8	ø12"ID DUCT
G	L. V. CONTROL BLOW-OFF	59 3/4	20 7/8	6 1/4	1" NPT
H	AUTOMATIC BLOWDOWN	70 3/4	25 1/2	31 3/4	3/8" NPT
I	ECONOMIZER DRAIN	71	10 1/2	21 3/8	2" NPT
O	BOILER CORNER	0	0	0	-

NO	NAME OF PART	MATERIAL	QTY	REMARKS / DRAWING #
DWN.: ALAN	CK'D.:	SCALE: NON	DO NOT SCALE	

<p style="text-align: center;">" CONFIDENTIAL "</p> <p>THIS MATERIAL IS THE PROPERTY OF MIURA BOILER CO., LTD., AND MUST NOT BE REPRODUCED, PUBLISHED OR DISCLOSED TO OTHERS WITHOUT AUTHORIZATION.</p>	SYM	REVISION	DATE	BY	DATE: MAY.18.07	APPROVED:	THIRD ANGLE SYSTEM	DIM'N SHOWN ARE INCH
	CAD DWG - NO MANUAL CHANGES PERMITTED					MIURA BOILER CO., LTD. BRANTFORD, ONTARIO, CANADA	DESCRIPTION: ORIENTATION OF IN & OUTLET	