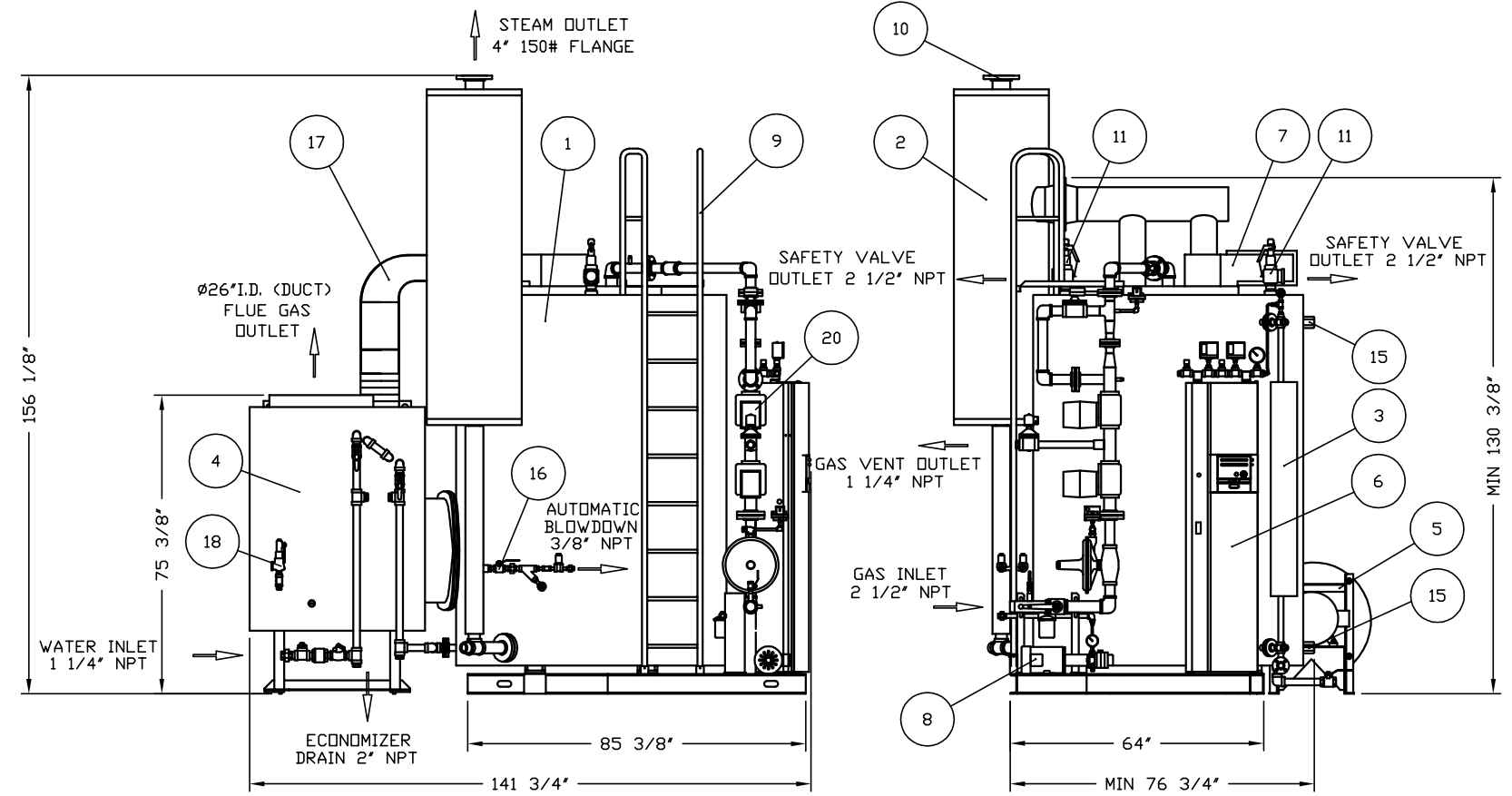
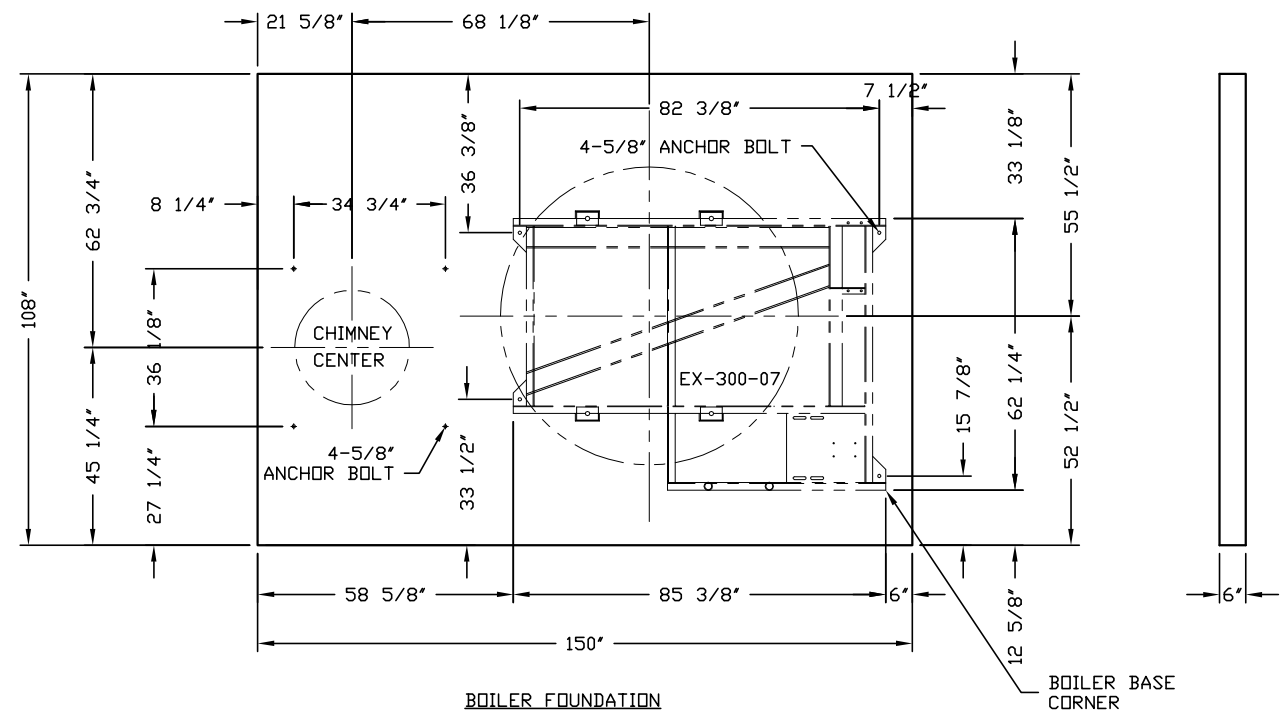
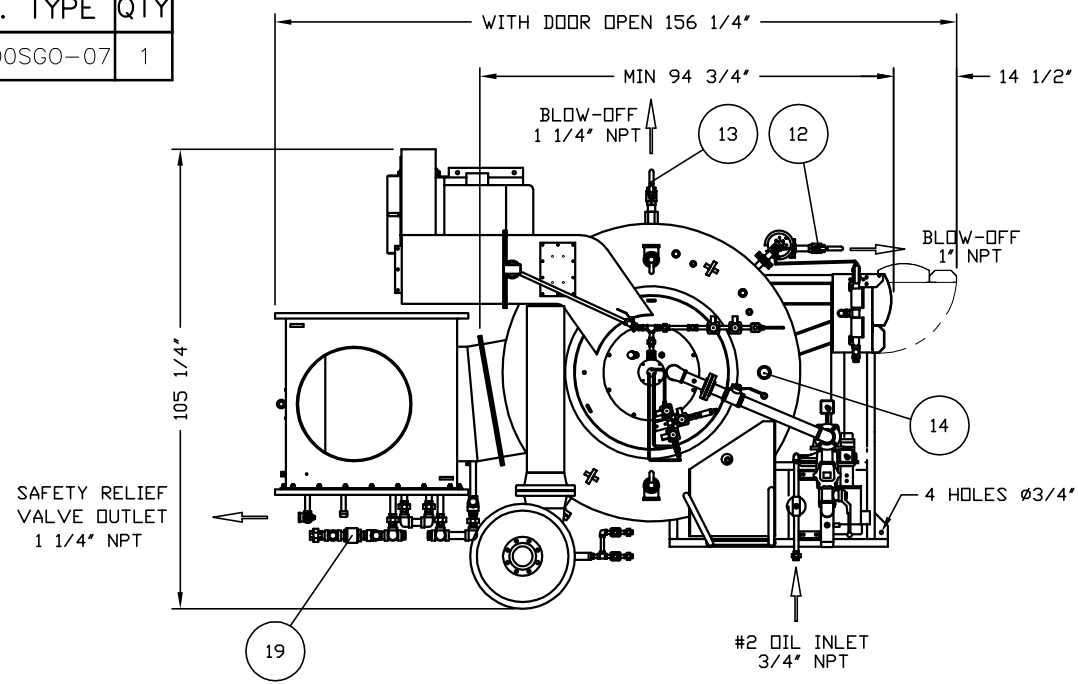


APP. TYPE	QTY
EX-300SGO-07	1



20	MAIN GAS TRAIN	1	2 1/2"
19	FEEDWATER PIPING	1	1 1/4"
18	ECONOMIZER SAFETY VALVE	1	3/4" x E x 1 1/4"
17	AIR DUCT	1	
16	AUTOMATIC BLOWDOWN	1	3/8"
15	SIDE INSPECTION HOLE	2	2"
14	TOP INSPECTION HOLE	1	2"
13	MANUAL BLOW-OFF	1	1 1/4"
12	MANUAL BLOW-OFF	1	1"
11	MAIN SAFETY VALVE	2	2" x J x 2 1/2"
10	STEAM OUTLET FLANGE	1	4"
9	LADDER	1	
8	OIL PUMP	1	
7	WIND BOX	1	
6	CONTROL BOX	1	
5	BLOWER	1	
4	ECONOMIZER	1	Ø26" I.D.
3	LIQUID VOLUME CONTROLLER	1	
2	STEAM SEPARATOR	1	
1	BOILER VESSEL	1	

NOTE:  
 1) DIMENSIONS, SPECIFICATIONS AND SOME PIPINGS ARE SUBJECT TO CHANGE WITHOUT NOTICE.  
 2) MINIMUM DIMENSIONS AS SHOW, DO NOT INCLUDE ITEM 2, 4, 5, 9, 10, 11, 13 & 17-20.  
 3) LADDER, STEAM SEPARATOR, SAFETY VALVE, BLOWER AND ASSEMBLY PARTS ARE SHIPPED SEPARATELY.  
 4) ECONOMIZER SAFETY VALVE IS APPLIED FOR CANADA BOILER ONLY.

NO	NAME OF PART	MATERIAL	QTY	REMARKS / DRAWING #
DWN.:	ALAN	CK'D.:		SCALE: NON DO NOT SCALE

" CONFIDENTIAL "

THIS MATERIAL IS THE PROPERTY OF MIURA BOILER CO., LTD., AND MUST NOT BE REPRODUCED, PUBLISHED OR DISCLOSED TO OTHERS WITHOUT AUTHORIZATION.

SYM	REVISION	DATE	BY
CAD DWG - NO MANUAL CHANGES PERMITTED			

DATE: MAY,07,07	APPROVED:	THIRD ANGLE SYSTEM	DIM'N SHOWN ARE INCH
DESCRIPTION: BOILER ASS'Y OUTSIDE VIEW		DRAWING NUMBER A000-EX30-0W02	