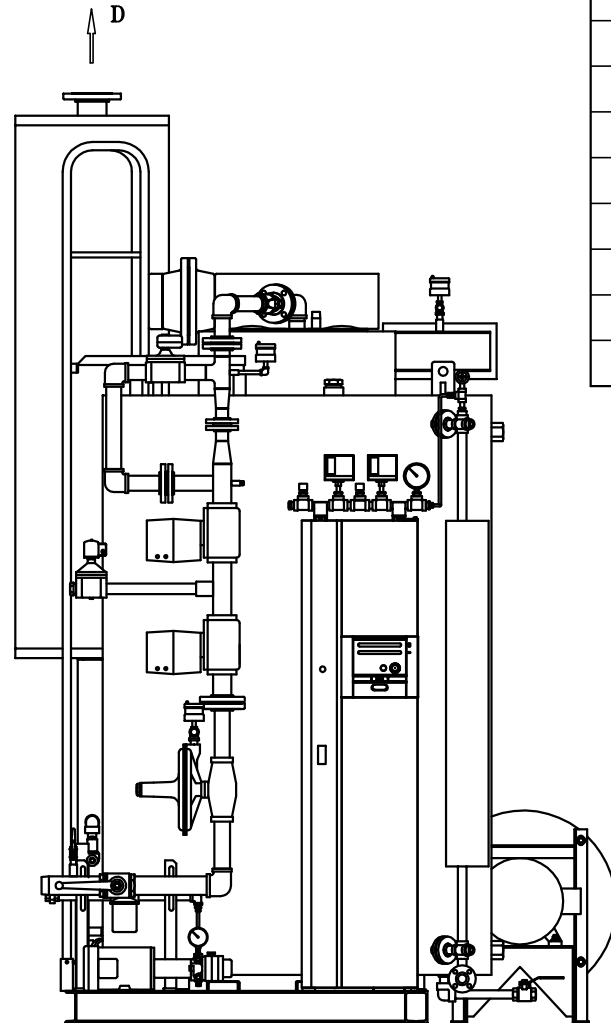
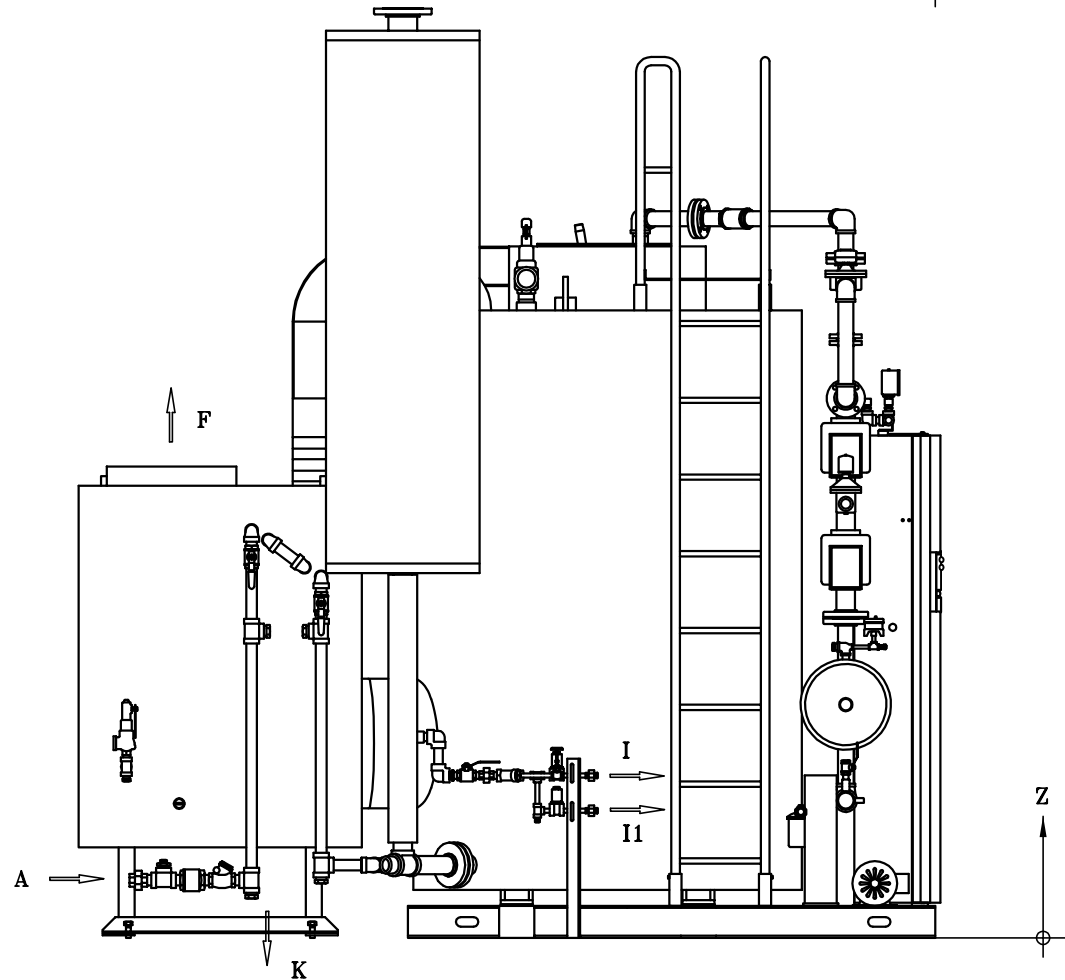
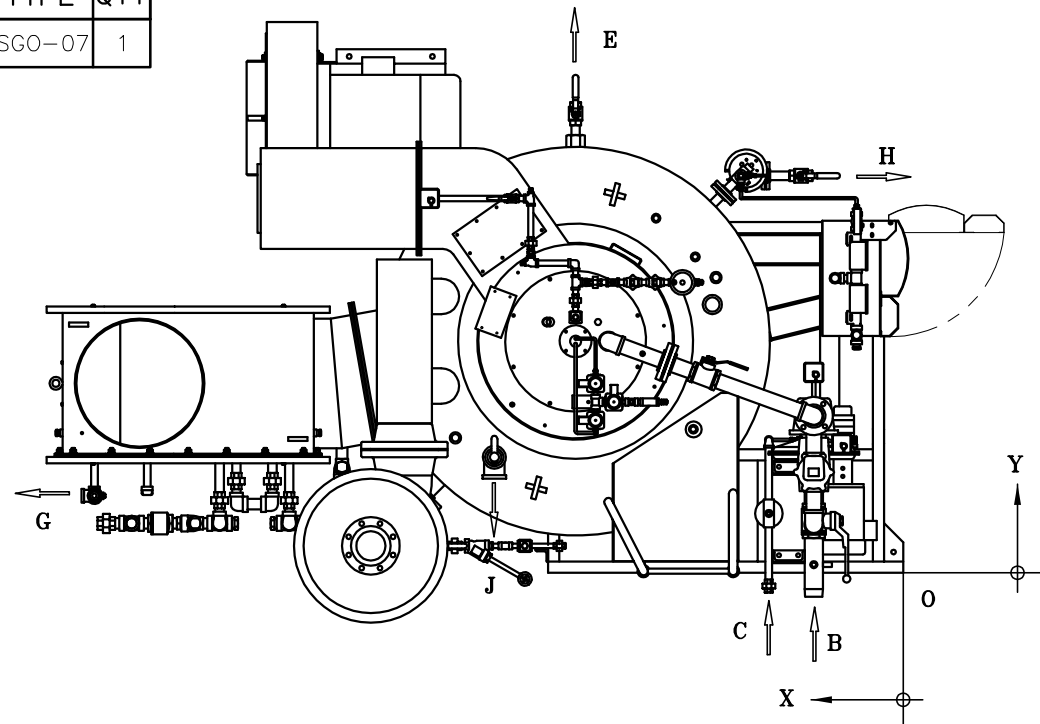


APP. TYPE	QTY
EX-250SGO-07	1



**NOTE:**

- 1) THIS DRAWING ILLUSTRATED WITH AN ECONOMIZER.
- 2) DIMENSIONS, SPECIFICATIONS AND SOME PIPINGS ARE SUBJECT TO CHANGE WITHOUT NOTICE.
- 3) GAS VENT PIPING SHALL BE ENFORCED IN ACCORDANCE WITH LOCAL REGULATION.
- 4) ECONOMIZER SAFETY VALVE IS APPLIED FOR CANADA BOILER ONLY.

LEGEND	DIMENSION (INCHES)			
	X	Y	Z	SIZE
A FEEDWATER INLET (WITH ECO.)	125 7/8	7 3/4	9	1 1/4" NPT
B SUPPLY GAS INLET	14	-3 3/4	21 1/2	2 1/2" NPT
C #2 OIL INLET	21	-3 1/8	19 5/8	3/4" NPT
D STEAM OUTLET	83 1/8	4 1/4	145 1/4	4" FLANGE
E BOTTOM BLOW-OFF	51 1/8	73 1/2	4 3/8	1" NPT
F FLUE GAS OUTLET (WITH ECO.)	119 3/8	29 5/8	73 5/8	ø20"ID DUCT
G ECONOMIZER SAFETY VALVE OUTLET	128 3/8	12	30 3/8	1 1/4" NPT
H L. V. CONTROL BLOW-OFF	14 1/8	62	6 7/8	1" NPT
I AUTOMATIC BLOWDOWN	52 3/4	4 1/4	25 3/8	3/8" NPT
I1 AUTOMATIC BLOWDOWN	52 3/4	4 1/4	19 7/8	3/8" NPT
J MAIN SAFETY VALVE OUTLET	63 7/8	14 3/4	103	2 1/2" NPT
K ECONOMIZER DRAIN	104 7/8	29 5/8	15 3/8	2" NPT
O BOILER CORNER	0	0	0	-

NO	NAME OF PART	MATERIAL	QTY	REMARKS / DRAWING #
DWN.: ALAN	CK'D.:	SCALE: NTS	DO NOT SCALE	

**" CONFIDENTIAL "**  
 THIS MATERIAL IS THE PROPERTY OF MIURA BOILER CO., LTD.,  
 AND MUST NOT BE REPRODUCED, PUBLISHED OR DISCLOSED TO  
 OTHERS WITHOUT AUTHORIZATION.

SYM	REVISION	DATE	BY
CAD DWG - NO MANUAL CHANGES PERMITTED			

DATE: MAY.22,07	APPROVED:	THIRD ANGLE SYSTEM	DIM'N SHOWN ARE INCH
		DESCRIPTION: ORIENTATION OF IN & OUTLET	DRAWING NUMBER A000-EX25-0R08