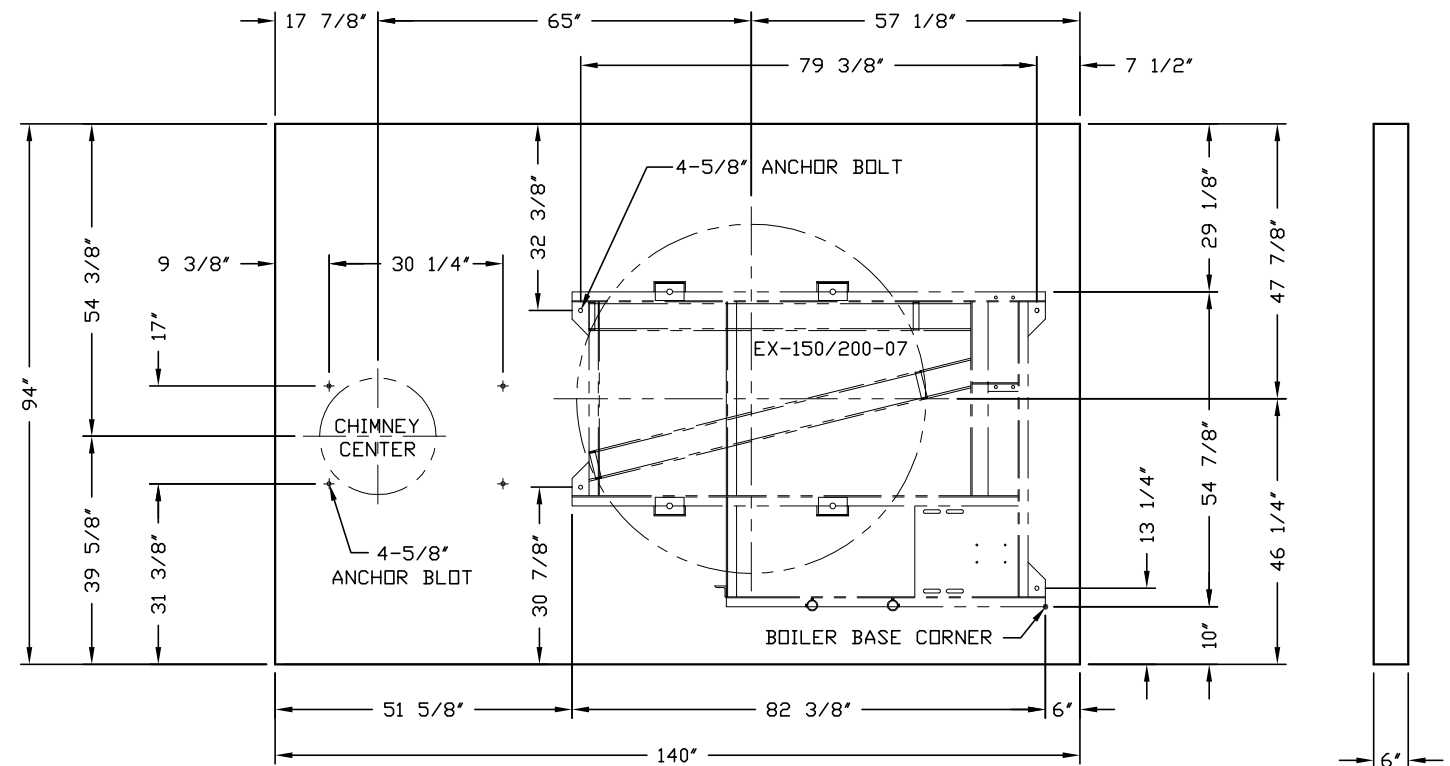
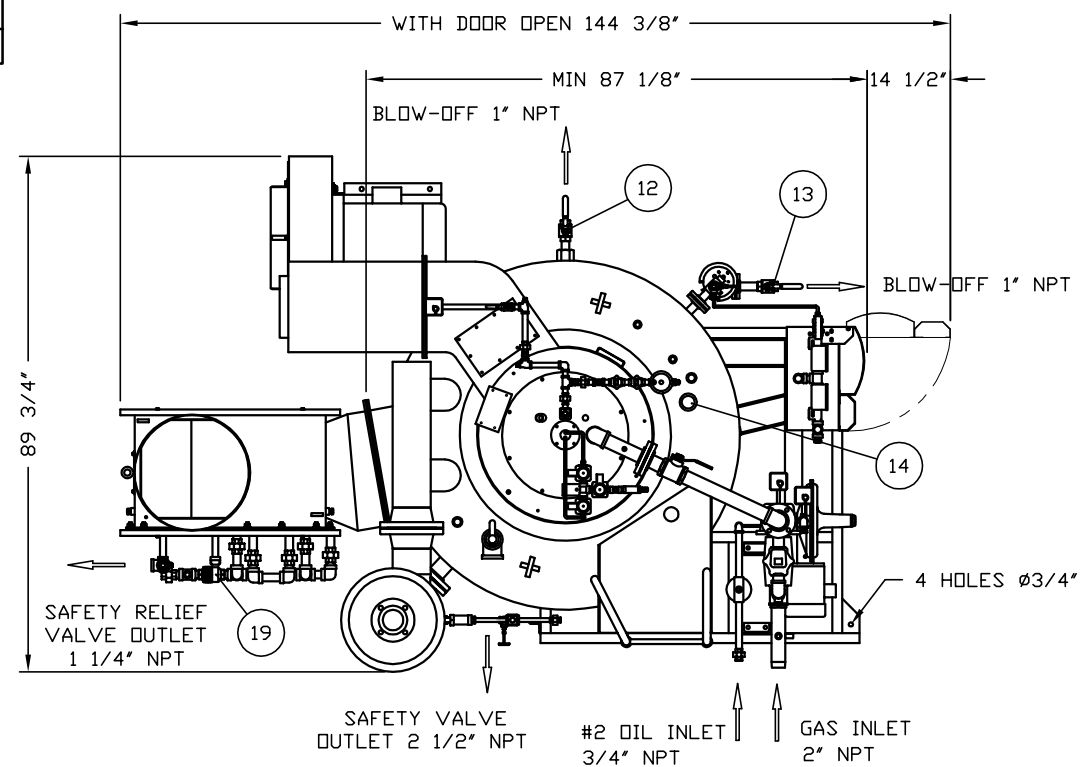


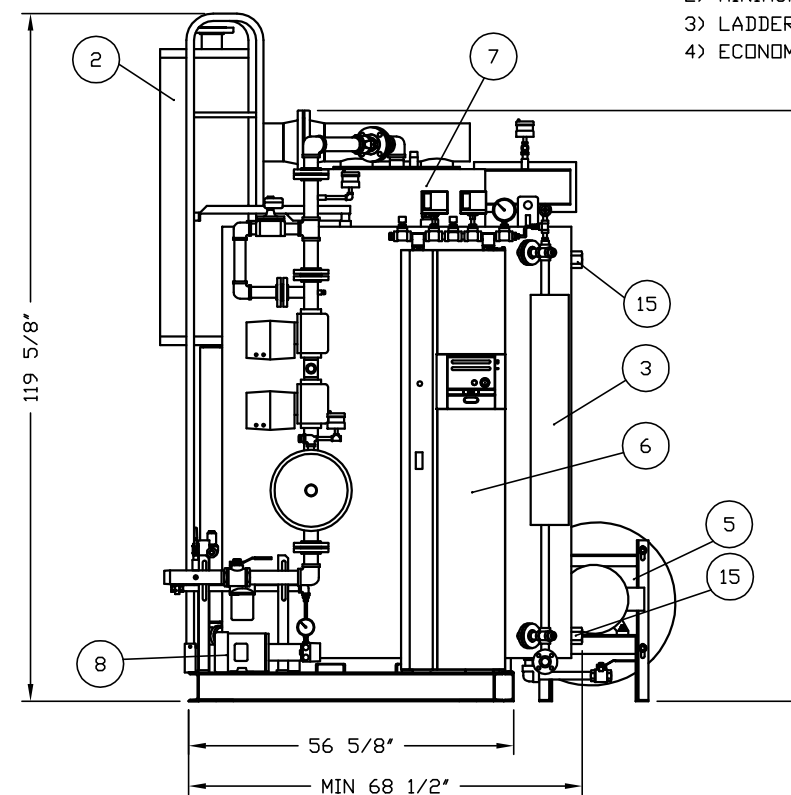
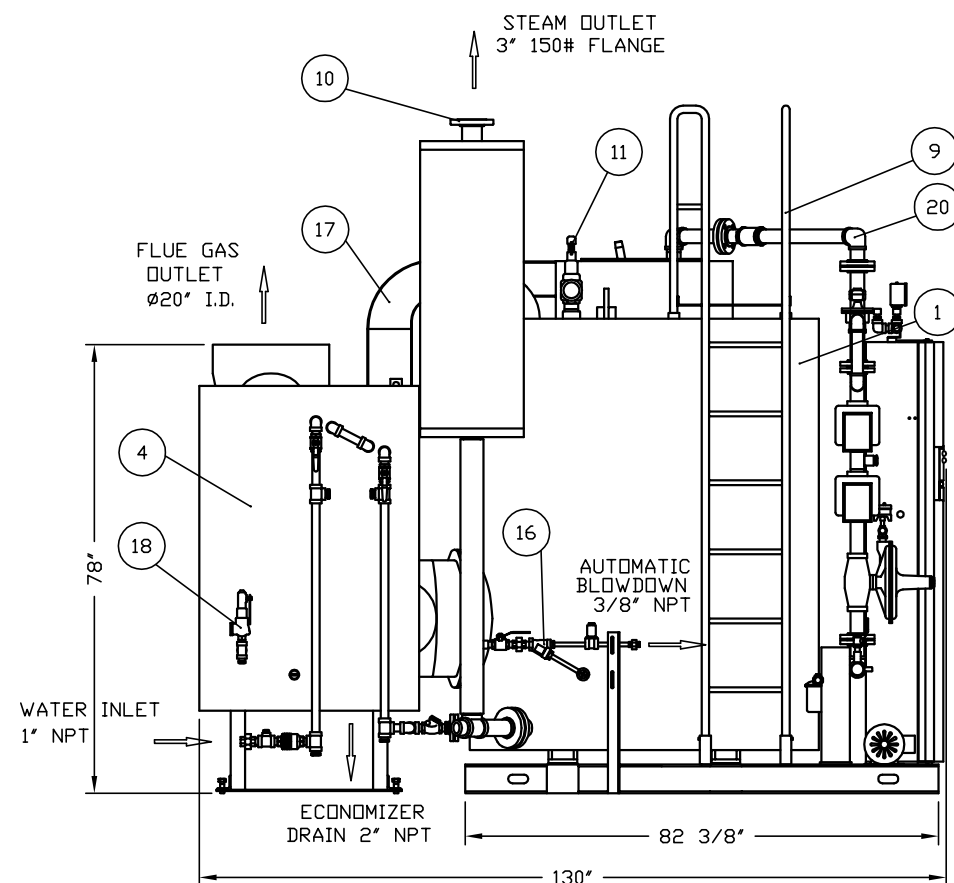
APP. TYPE	QTY
EX-150SGO-07	1
EX-200SGO-07	1



BOILER FOUNDATION

NOTE:

- 1) DIMENSION, SPECIFICATIONS AND SOME PIPINGS ARE SUBJECT TO CHANGE WITHOUT NOTICE.
- 2) MINIMUM DIMENSIONS AS SHOWN. DO NOT INCLUDE ITEM 2, 4, 5, 9, 10, 12 & 17 - 20.
- 3) LADDER, BLOWER AND ASSEMBLY PARTS ARE SHIPPED SEPARATELY.
- 4) ECONOMIZER SAFETY VALVE IS APPLIED FOR CANADA BOILER ONLY.



20	MAIN GAS TRAIN		1	2"
19	FEEDWATER PIPING		1	1"
18	ECONOMIZER SAFETY VALVE		1	3/4" x E x 1 1/4"
17	AIR DUCT		1	
16	AUTOMATIC BLOWDOWN		1	3/8"
15	INSPECTION HOLE (SIDE)		2	2"
14	INSPECTION HOLE (TOP)		1	2"
13	MANUAL BLOW-OFF		1	1"
12	MANUAL BLOW-OFF		1	1"
11	MAIN SAFETY VALVE		1	2" x J x 2 1/2"
10	STEAM OUTLET FLANGE		1	3"
9	LADDER		1	
8	OIL PUMP		1	
7	WIND BOX		1	
6	CONTROL BOX		1	
5	BLOWER		1	
4	ECONOMIZER		1	Ø20" I.D.
3	LIQUID VOLUME CONTROLLER		1	
2	STEAM SEPARATOR		1	
1	BOILER VESSEL		1	

NO.	NAME OF PART	MATERIAL	QTY	REMARKS / DRAWING #
DWN.:	ALAN	CK'D.:		SCALE: NON DO NOT SCALE

SYM	REVISION	DATE	BY	DATE: MAY.01,07	APPROVED:	THIRD ANGLE SYSTEM	DIM'N SHOWN ARE INCH
CAD DWG - NO MANUAL CHANGES PERMITTED						DESCRIPTION: BOILER ASS'Y OUTSIDE VIEW	DRAWING NUMBER A000-EX20-0W17

" CONFIDENTIAL "

THIS MATERIAL IS THE PROPERTY OF MIRA BOILER CO., LTD., AND MUST NOT BE REPRODUCED, PUBLISHED OR DISCLOSED TO OTHERS WITHOUT AUTHORIZATION.