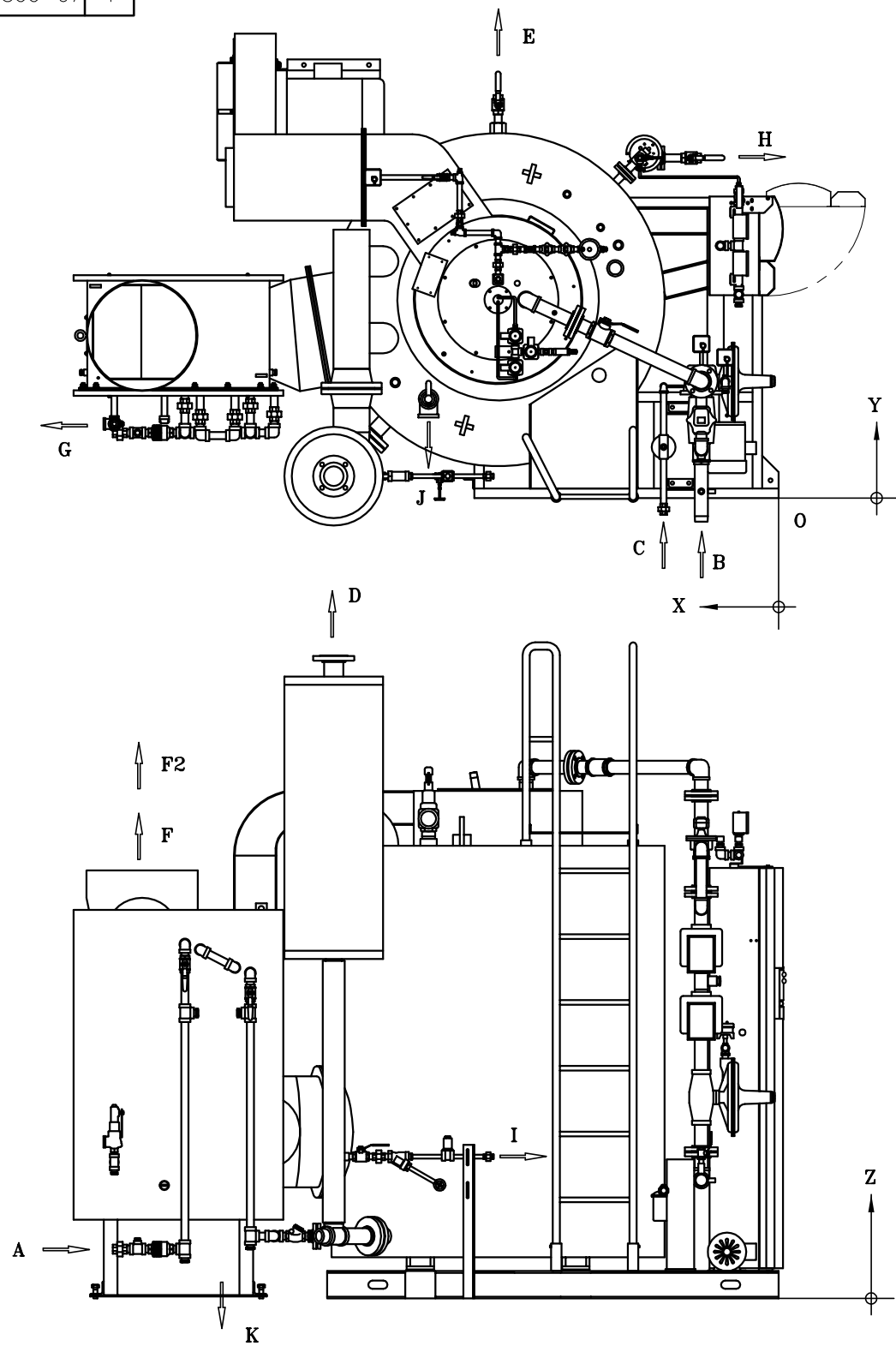


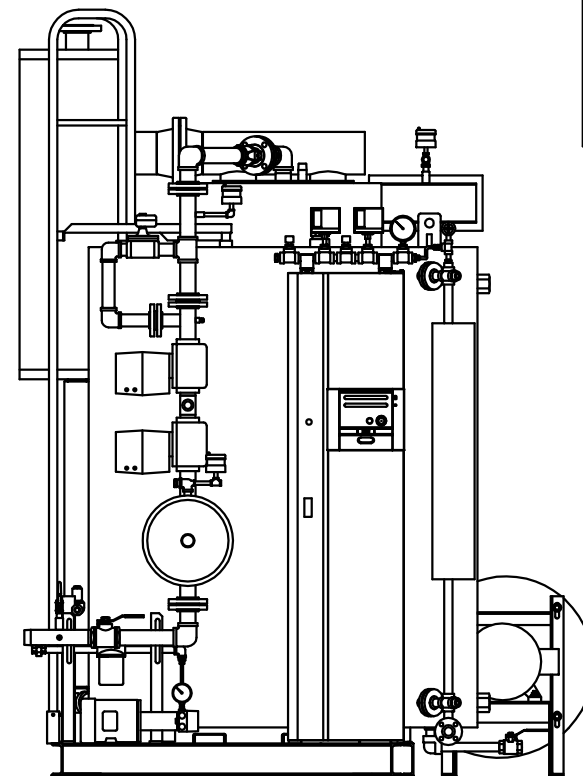
APP. TYPE	QTY
EX-150SGO-07	1
EX-200SGO-07	1



**NOTE:**

- 1) THIS DRAWING ILLUSTRATED WITH AN ECONOMIZER.
- 2) DIMENSIONS, SPECIFICATIONS AND SOME PIPINGS ARE SUBJECT TO CHANGE WITHOUT NOTICE.
- 3) GAS VENT PIPING SHALL BE ENFORCED IN ACCORDANCE WITH LOCAL REGULATION.
- 4) ECONOMIZER SAFETY VALVE IS APPLIED FOR CANADA BOILER ONLY.

LEGEND	DIMENSION (INCHES)			
	X	Y	Z	SIZE
A FEEDWATER INLET (WITH ECO.)	121 1/2	11 7/8	9	1" NPT
B SUPPLY GAS INLET	14 1/8	-4 1/4	21 1/2	2" NPT
C #2 OIL INLET	21	-3	19 5/8	3/4" NPT
D STEAM OUTLET	81 1/8	4	117 1/4	3" FLANGE
E BOTTOM BLOW-OFF	51 1/8	73 1/2	4 3/8	1" NPT
F FLUE GAS OUTLET (WITH ECO.)	116 1/8	29 5/8	78	ø20"ID DUCT
G ECONOMIZER SAFETY VALVE OUTLET	123 1/4	13 1/2	28 1/2	1 1/4" NPT
H L. V. CONTROL BLOW-OFF	14 1/8	62	6 7/8	1" NPT
I AUTOMATIC BLOWDOWN	52	4	25 7/8	3/8" NPT
J MAIN SAFETY VALVE OUTLET	63 7/8	14 3/4	87 1/2	2 1/2" NPT
K ECONOMIZER DRAIN	102 3/8	29 5/8	15 1/2	2" NPT
O BOILER CORNER	0	0	0	-



NO	NAME OF PART	MATERIAL	QTY	REMARKS / DRAWING #
DWN.: ALAN	CK'D.:	SCALE: NTS	DO NOT SCALE	

**" CONFIDENTIAL "**  
 THIS MATERIAL IS THE PROPERTY OF MIURA BOILER CO., LTD.,  
 AND MUST NOT BE REPRODUCED, PUBLISHED OR DISCLOSED TO  
 OTHERS WITHOUT AUTHORIZATION.

SYM	REVISION	DATE	BY	DATE: MAY.22,07	APPROVED:	THIRD ANGLE SYSTEM	DIM'N SHOWN ARE INCH
CAD DWG - NO MANUAL CHANGES PERMITTED				<b>MIURA BOILER CO., LTD.</b> BRANTFORD, ONTARIO, CANADA		DESCRIPTION: ORIENTATION OF IN & OUTLET	DRAWING NUMBER A000-EX20-0R17