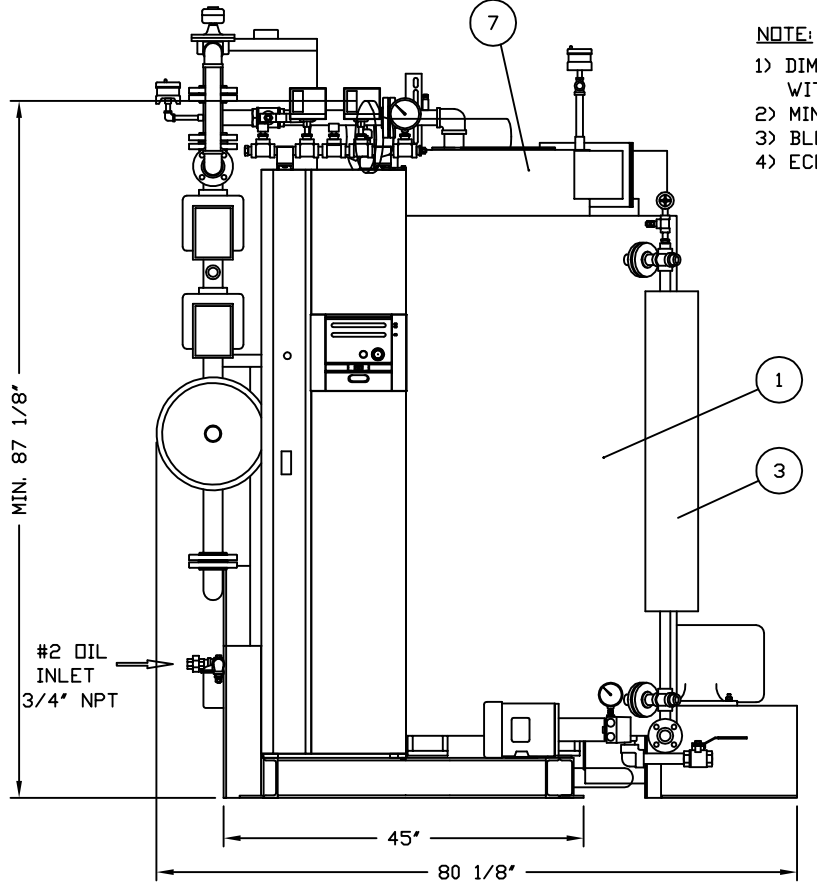
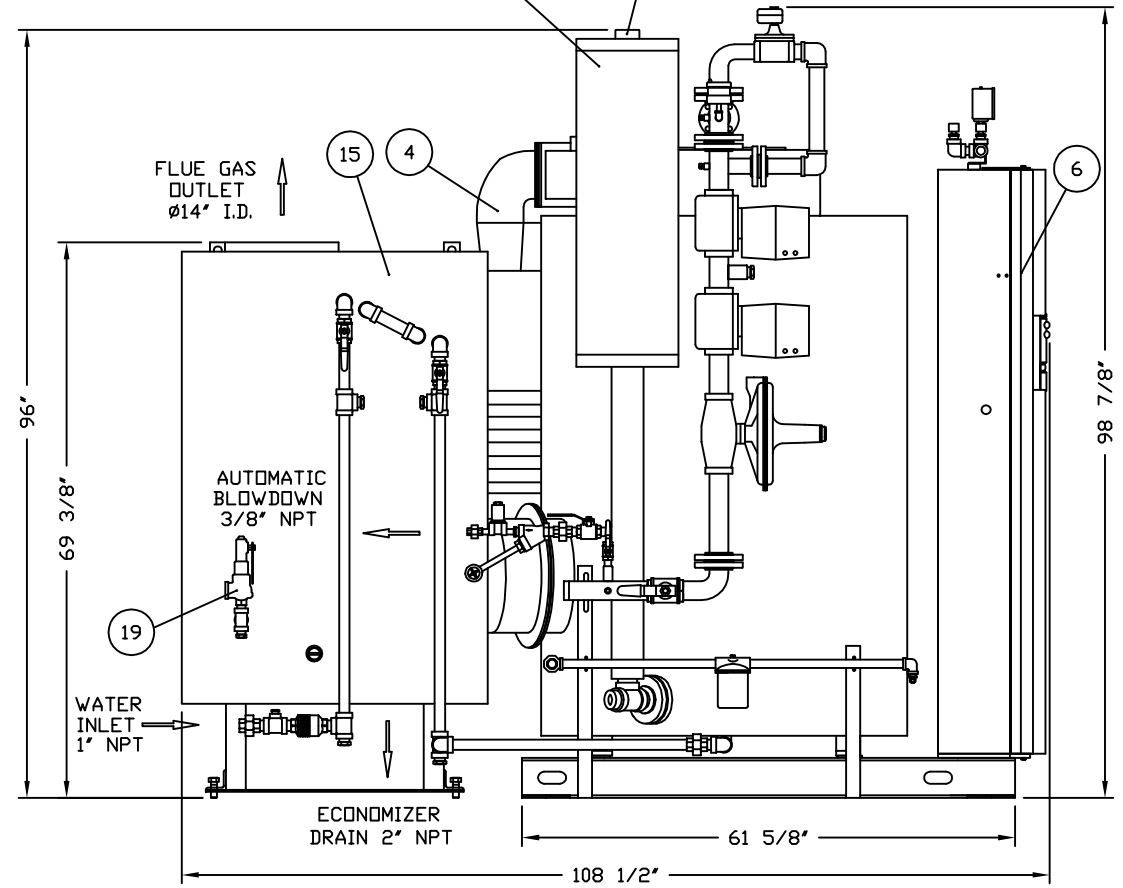
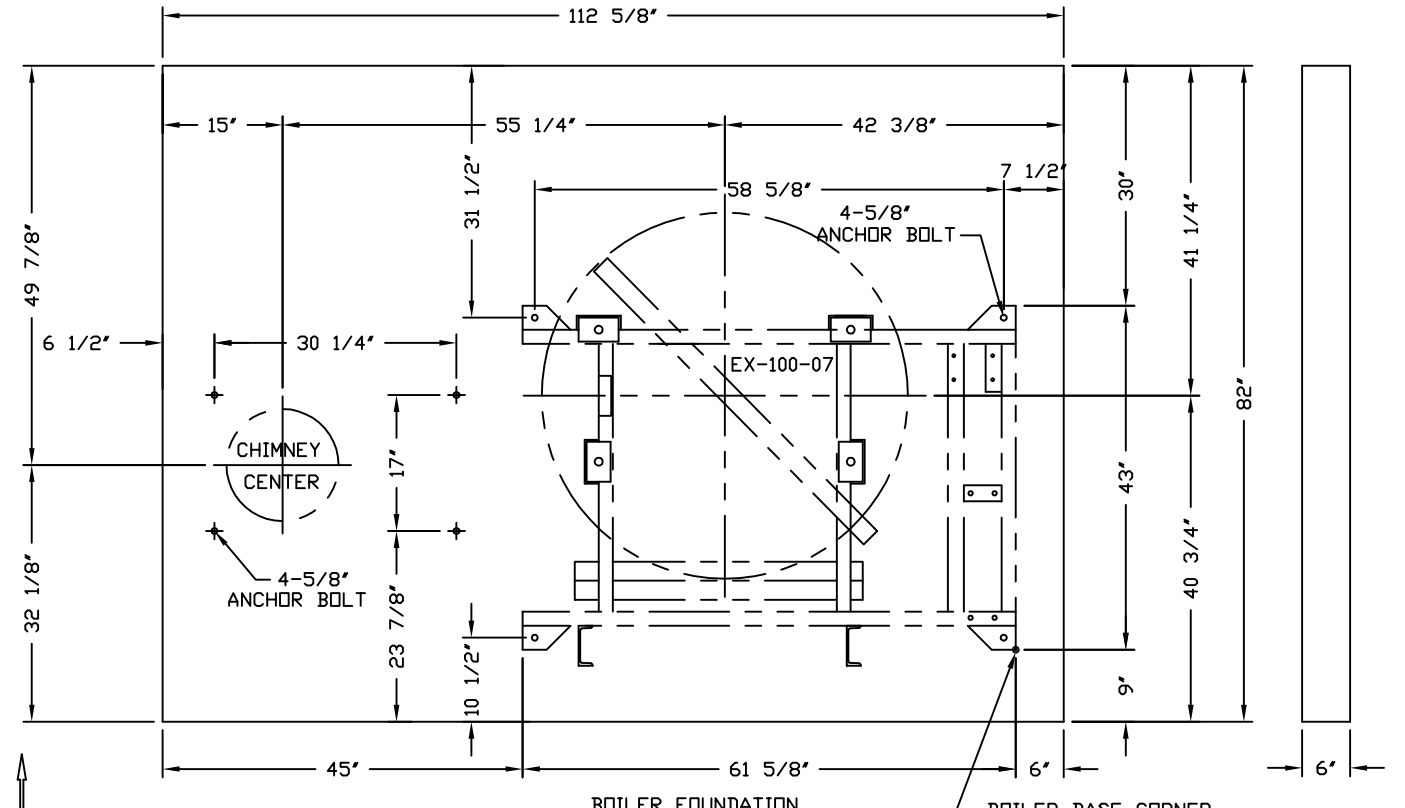
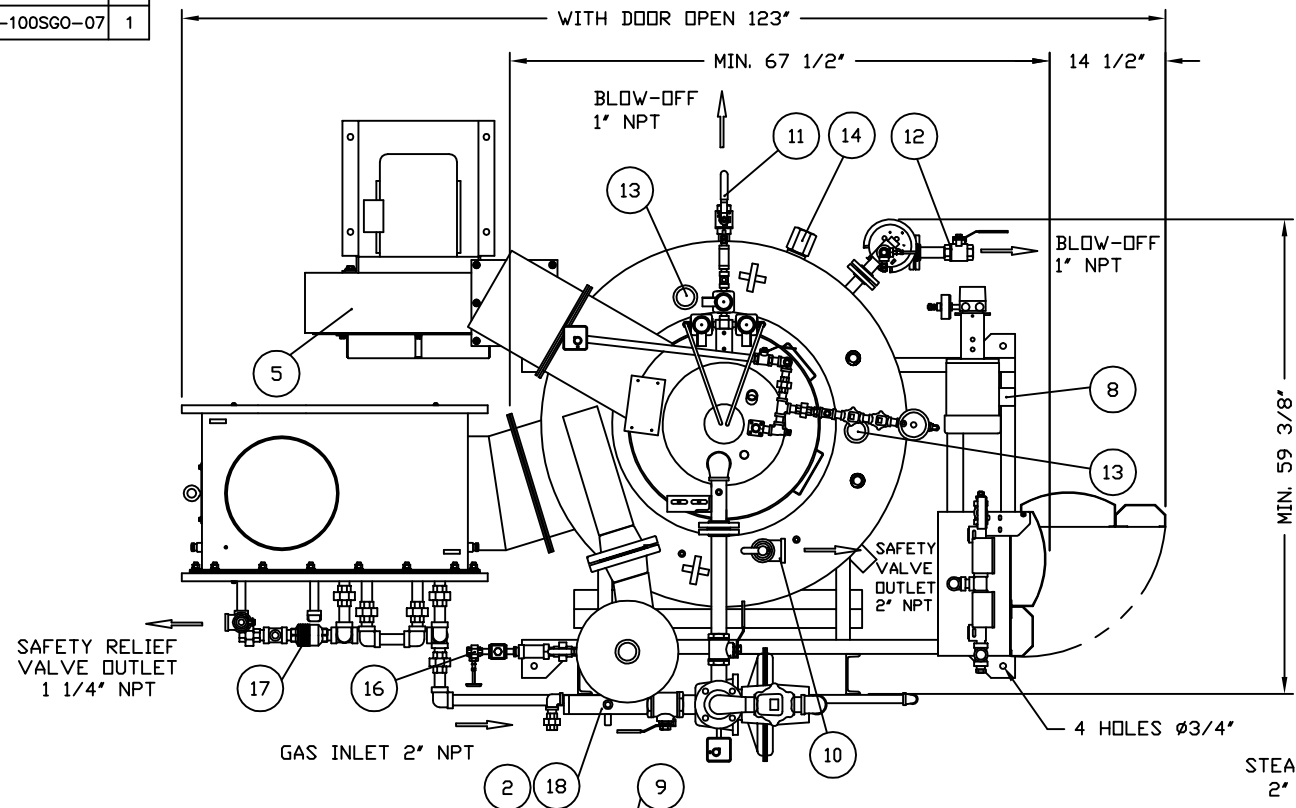


APP. TYPE	QTY
EX-100SGO-07	1



- NOTE:**
- 1) DIMENSIONS, SPECIFICATIONS AND SOME PIPINGS ARE SUBJECT TO CHANGE WITHOUT NOTICE.
  - 2) MINIMUM DIMENSIONS AS SHOWN, DO NOT INCLUDE ITEM 2, 4, 5, 9, 11 & 15 - 19.
  - 3) BLOWER AND ASSEMBLY PARTS ARE SHIPPED SEPARATELY.
  - 4) ECONOMIZER SAFETY VALVE IS APPLIED FOR CANADA BOILER ONLY.

19	ECONOMIZER SAFETY VALVE	1	3/4" x E x 1 1/4"
18	MAIN GAS TRAIN	1	2"
17	FEEDWATER PIPING	1	1"
16	AUTOMATIC BLOWDOWN	1	3/8"
15	ECONOMIZER	1	Ø14" I.D.
14	INSPECTION HOLE (SIDE)	2	2"
13	INSPECTION HOLE (TOP)	2	2"
12	MANUAL BLOW-OFF	1	1"
11	MANUAL BLOW-OFF	1	1"
10	MAIN SAFETY VALVE	1	1 1/2" x H x 2"
9	STEAM OUTLET	1	2"
8	OIL PUMP	1	
7	WIND BOX	1	
6	CONTROL BOX	1	
5	BLOWER	1	
4	AIR DUCT	1	
3	LIQUID VOLUME CONTROLLER	1	
2	STEAM SEPARATOR	1	
1	BOILER VESSEL	1	

NO.	NAME OF PART	MATERIAL	QTY	REMARKS / DRAWING #
DWN.:	ALAN	CK'D.:	SCALE: NON	DO NOT SCALE

" CONFIDENTIAL "

THIS MATERIAL IS THE PROPERTY OF MIURA BOILER CO., LTD., AND MUST NOT BE REPRODUCED, PUBLISHED OR DISCLOSED TO OTHERS WITHOUT AUTHORIZATION.

SYM	REVISION	DATE	BY	DATE: APR.30,07	APPROVED:	THIRD ANGLE SYSTEM	DIM'N SHOWN ARE INCH
CAD DWG - NO MANUAL CHANGES PERMITTED				<b>MIURA BOILER CO., LTD.</b> <small>BRANTFORD, ONTARIO, CANADA</small>		DESCRIPTION: <b>BOILER ASS'Y OUTSIDE VIEW</b>	
							DRAWING NUMBER A00-EX10-OW17