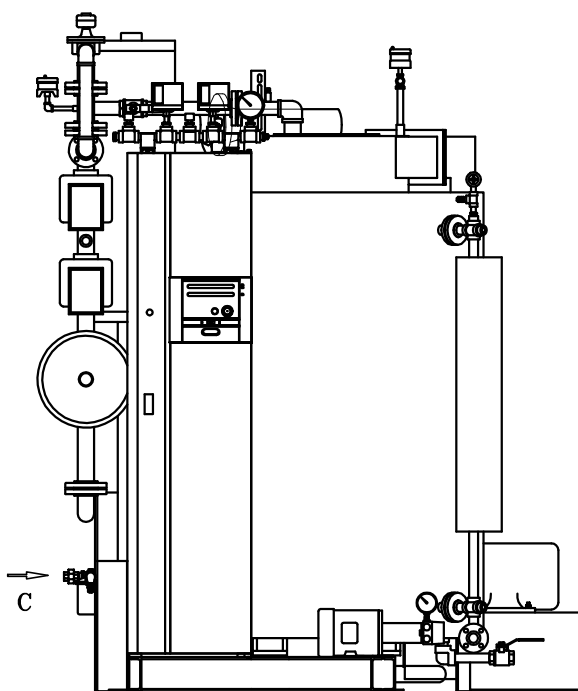
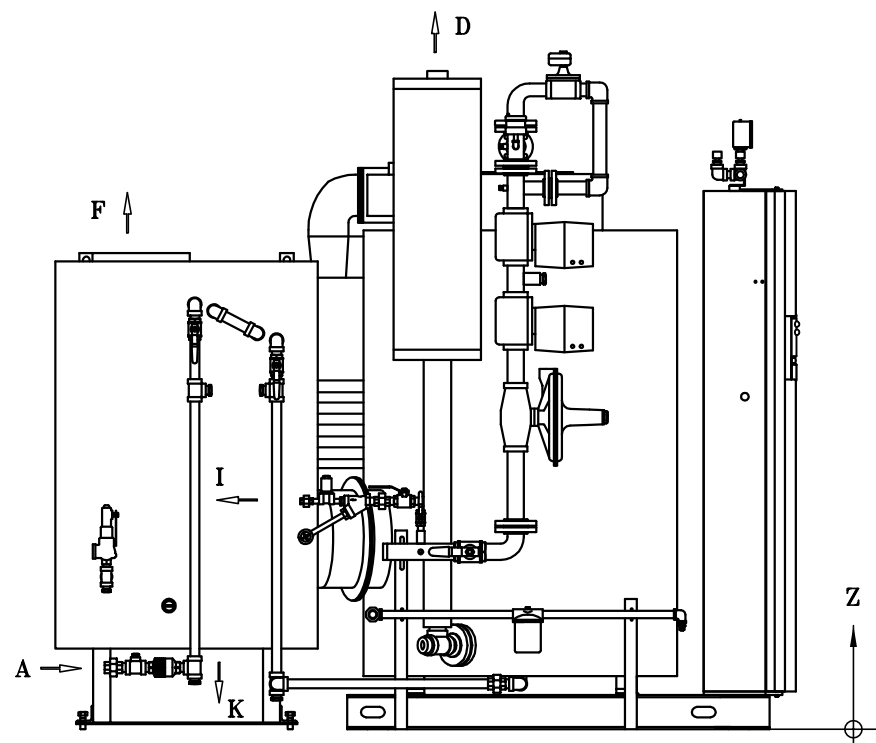
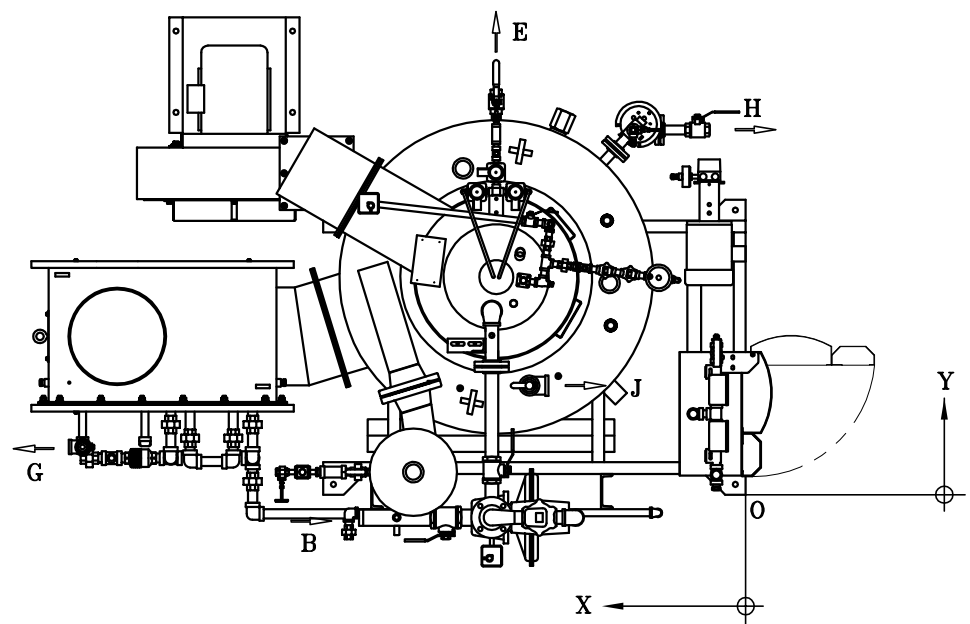


APP. TYPE	QTY
EX-100SGO-07	1

NOTE:

- 1) THIS DRAWING ILLUSTRATED WITH AN ECONOMIZER.
- 2) DIMENSIONS, SPECIFICATIONS AND SOME PIPINGS ARE SUBJECT TO CHANGE WITHOUT NOTICE.
- 3) GAS VENT PIPING SHALL BE ENFORCED IN ACCORDANCE WITH LOCAL REGULATION.
- 4) ECONOMIZER SAFETY VALVE IS APPLIED FOR CANADA BOILER ONLY.



LEGEND		DIMENSION (INCHES)			
		X	Y	Z	SIZE
A	FEEDWATER INLET (WITH ECO.)	97	5 3/8	9	1" NPT
B	SUPPLY GAS INLET	58 3/4	-3 3/8	25 3/4	2" NPT
C	#2 OIL INLET	60 1/4	-6 1/2	16 3/4	3/4" NPT
D	STEAM OUTLET	50 7/8	3 1/4	96	2" NPT
E	BOTTOM BLOW-OFF	38 3/4	59 1/8	4 7/8	1" NPT
F	FLUE GAS OUTLET (WITH ECO.)	94	23 1/8	69 1/2	ø14"ID DUCT
G	ECONOMIZER SAFETY VALVE OUTLET	100 1/8	7	25 7/8	1 1/4" NPT
H	L. V. CONTROL BLOW-OFF	7 5/8	53 1/4	7 3/4	1" NPT
I	AUTOMATIC BLOWDOWN	70 7/8	3 1/4	33 1/4	3/8" NPT
J	MAIN SAFETY VALVE OUTLET	31 1/8	15 7/8	76 5/8	2" NPT
K	ECONOMIZER DRAIN	80 1/4	23 1/8	12 7/8	2" NPT
O	BOILER CORNER	0	0	0	-

NO	NAME OF PART	MATERIAL	QTY	REMARKS / DRAWING #
DWN.: ALAN	CK'D.:	SCALE: NTS	DO NOT SCALE	

<p style="text-align: center;">" CONFIDENTIAL "</p> <p>THIS MATERIAL IS THE PROPERTY OF MIURA BOILER CO., LTD., AND MUST NOT BE REPRODUCED, PUBLISHED OR DISCLOSED TO OTHERS WITHOUT AUTHORIZATION.</p>	SYM	REVISION	DATE	BY	DATE: MAY.22,07	APPROVED:	THIRD ANGLE SYSTEM	DIM'N SHOWN ARE INCH
	CAD DWG - NO MANUAL CHANGES PERMITTED					<b>MIURA BOILER CO., LTD.</b> <small>BRANTFORD, ONTARIO, CANADA</small>	DESCRIPTION: ORIENTATION OF IN & OUTLET	DRAWING NUMBER A000-EX10-OR17