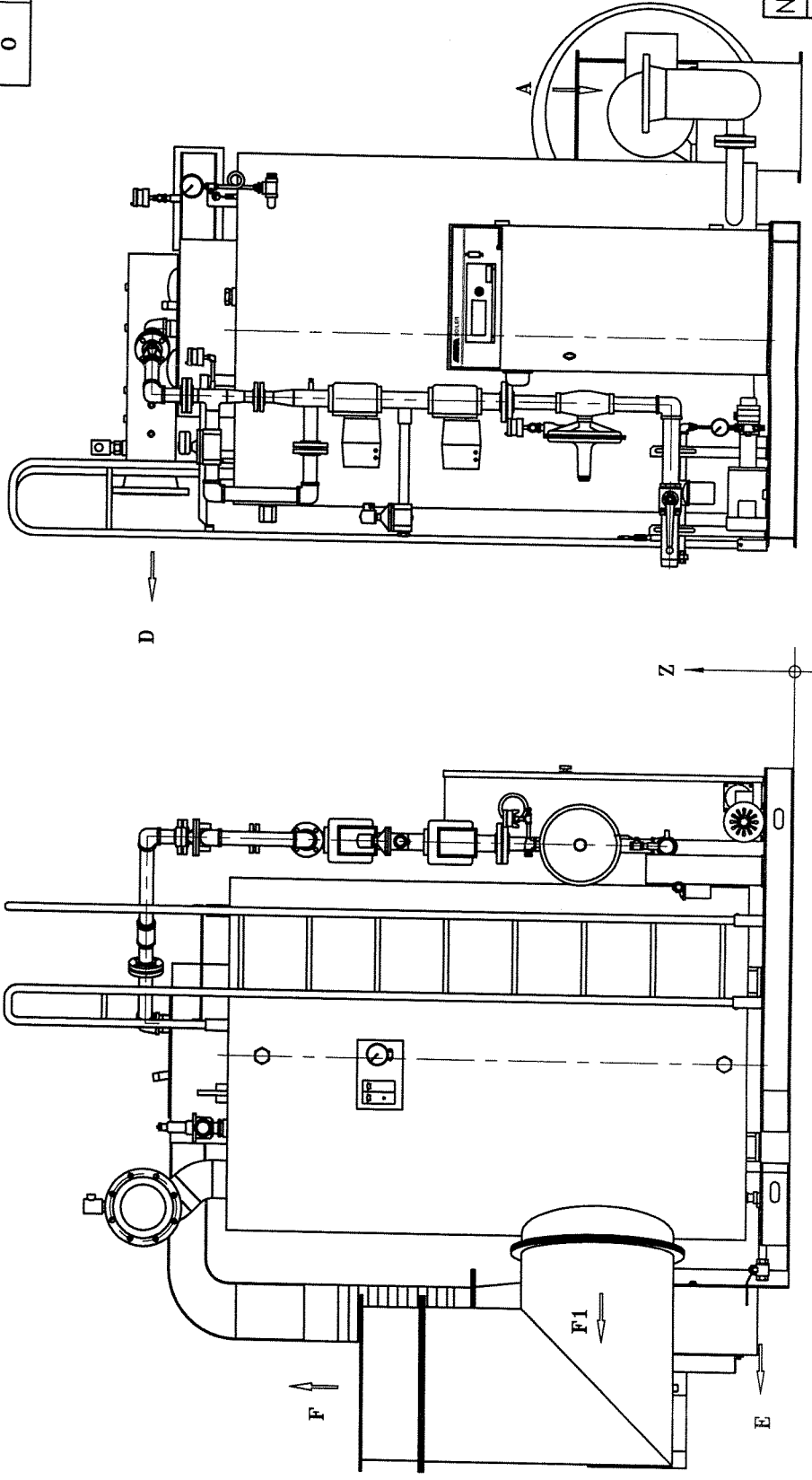
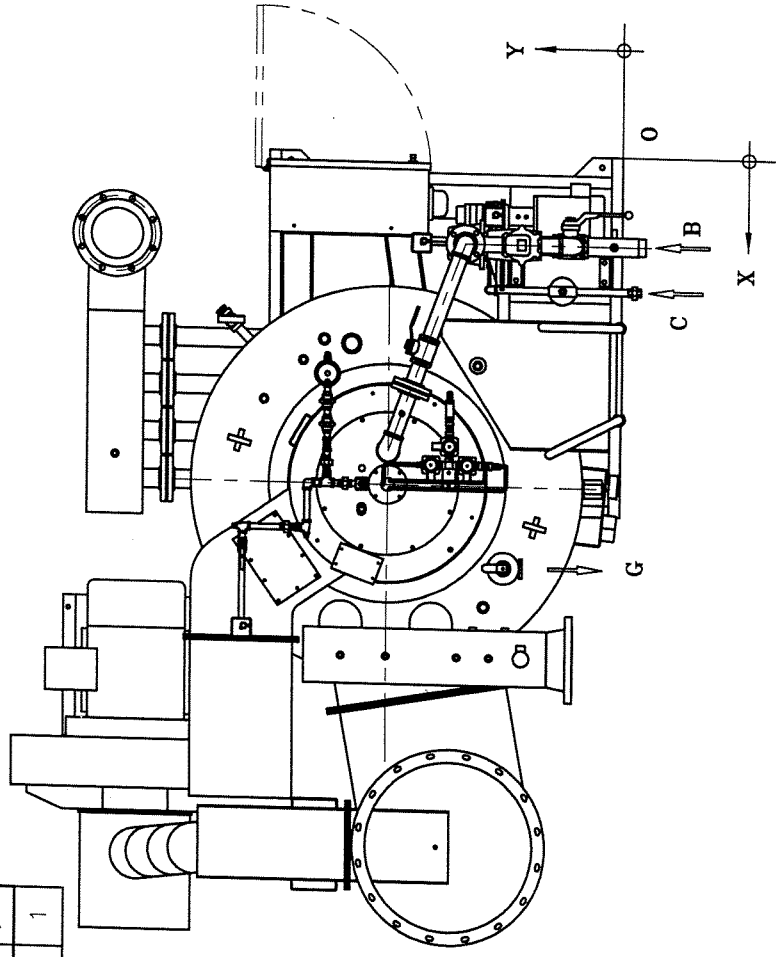


APP. TYPE	QTY
EXW-300	1



NOTE:

- 1) THIS DRAWING ILLUSTRATED WITH A F.G.R.
- 2) DIMENSIONS AND SPECIFICATIONS ARE SUBJECT TO CHANGE WITHOUT NOTICE.
- 3) THE CHIMNEY FLANGE (ø30"O.D., ø25 3/4" I.D.) IS SHIPPED WITH THE BOILER, WHEN F OR F1 IS SUPPLIED.
- 4) GAS VENT PIPING SHALL BE ENFORCED IN ACCORDANCE WITH LOCAL REGULATION.

LEGEND	DIMENSION (INCHES)			SIZE
	X	Y	Z	
A WATER INLET	13 5/8	78 3/8	27 1/2	8" FLANGE
B SUPPLY GAS INLET	14	-3 3/4	21 7/8	2 1/2" NPT
C #2 OIL INLET	21	-3 1/8	19 5/8	3/4" NPT
D WATER OUTLET	77 7/8	7 1/4	112 3/4	8" FLANGE
E BOTTOM DRAIN	88 3/8	36 1/4	4 1/2	1" NPT
F FLUE GAS OUTLET (F.G.R.)	107 1/4	26 1/4	74 3/8	ø26"ID DUCT
F1 FLUE GAS OUTLET (NON F.G.R.)	84 1/8	30 3/8	33 1/8	ø26"ID DUCT
G MAIN SAFETY VALVE OUTLET	63 7/8	15 1/8	102 1/4	2" NPT
O BOILER CORNER	0	0	0	-

NO	NAME OF PART	MATERIAL	QTY	REMARKS / DRAWING #
DWN.: TRAM	CK'D:	APPROVED: <i>Kozma</i>	SCALE: 1:30	DO NOT SCALE
DATE: NOV.29.04	BY	THIRD ANGLE SYSTEM	DIM'N SHOWN ARE INCH	
DESCRIPTION:		DRAWING NUMBER		
ORIENTATION OF IN & OUTLET		A000-EW30-OR04		

"CONFIDENTIAL"
 THIS MATERIAL IS THE PROPERTY OF MIURA BOILER CO., LTD.,
 AND MUST NOT BE REPRODUCED, PUBLISHED OR DISCLOSED TO
 OTHERS WITHOUT AUTHORIZATION.

CAD DWG - NO MANUAL CHANGES PERMITTED

MIURA BOILER CO., LTD.
 BRANTFORD, ONTARIO, CANADA

ORIENTATION OF IN & OUTLET