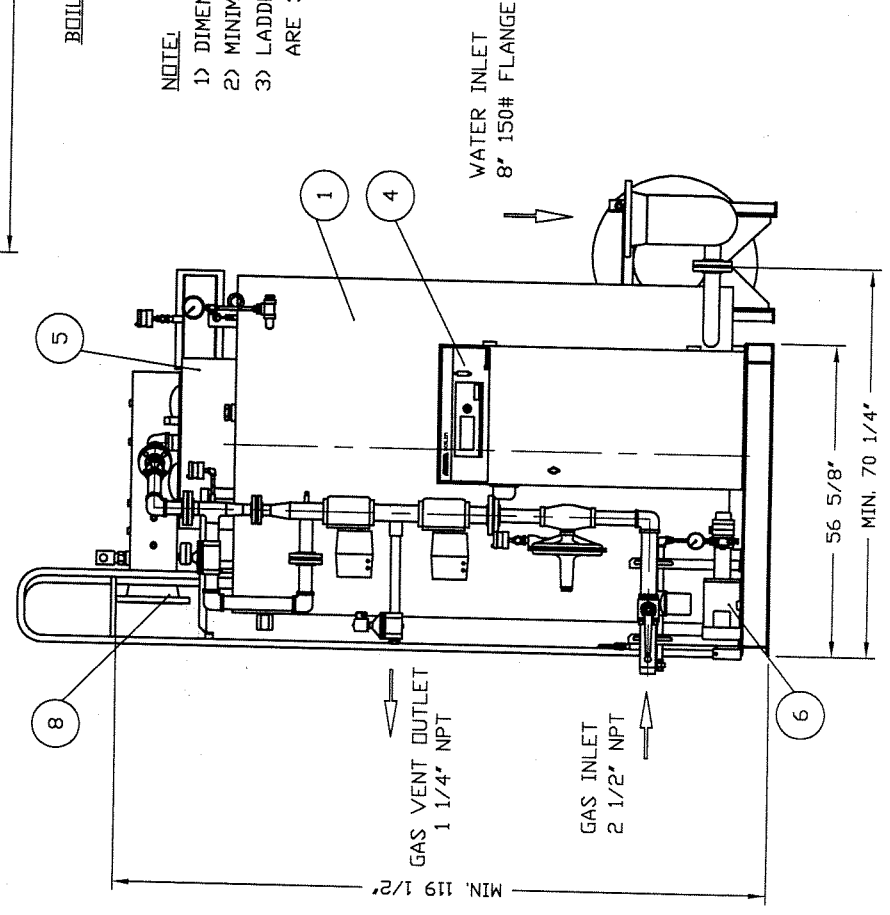
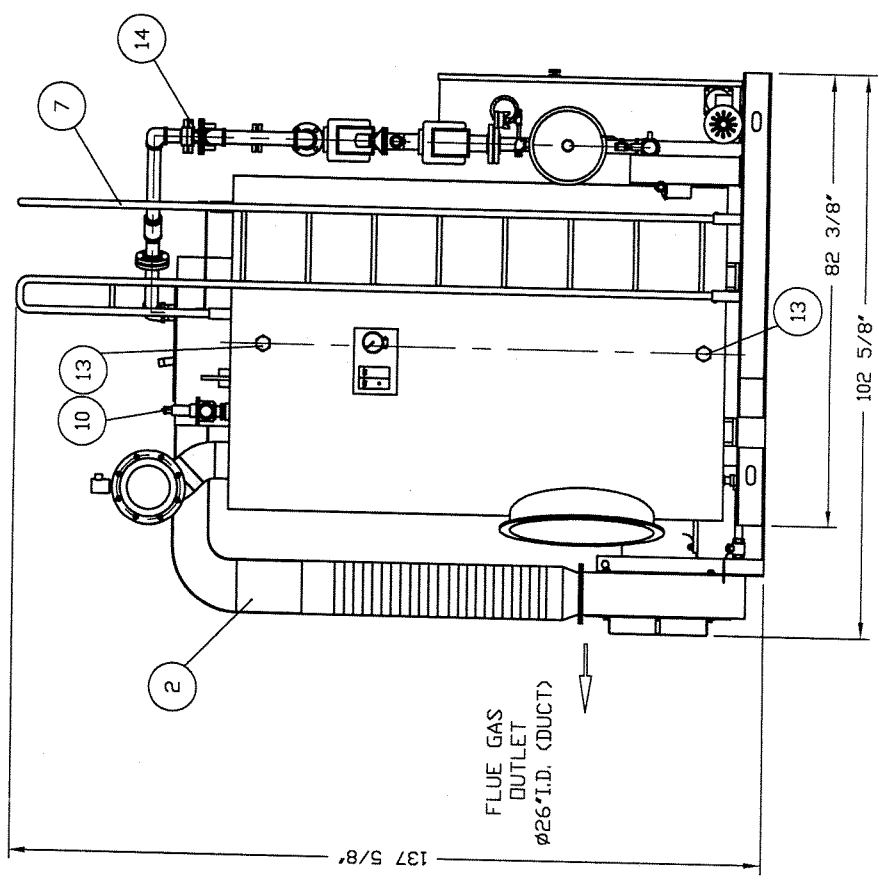
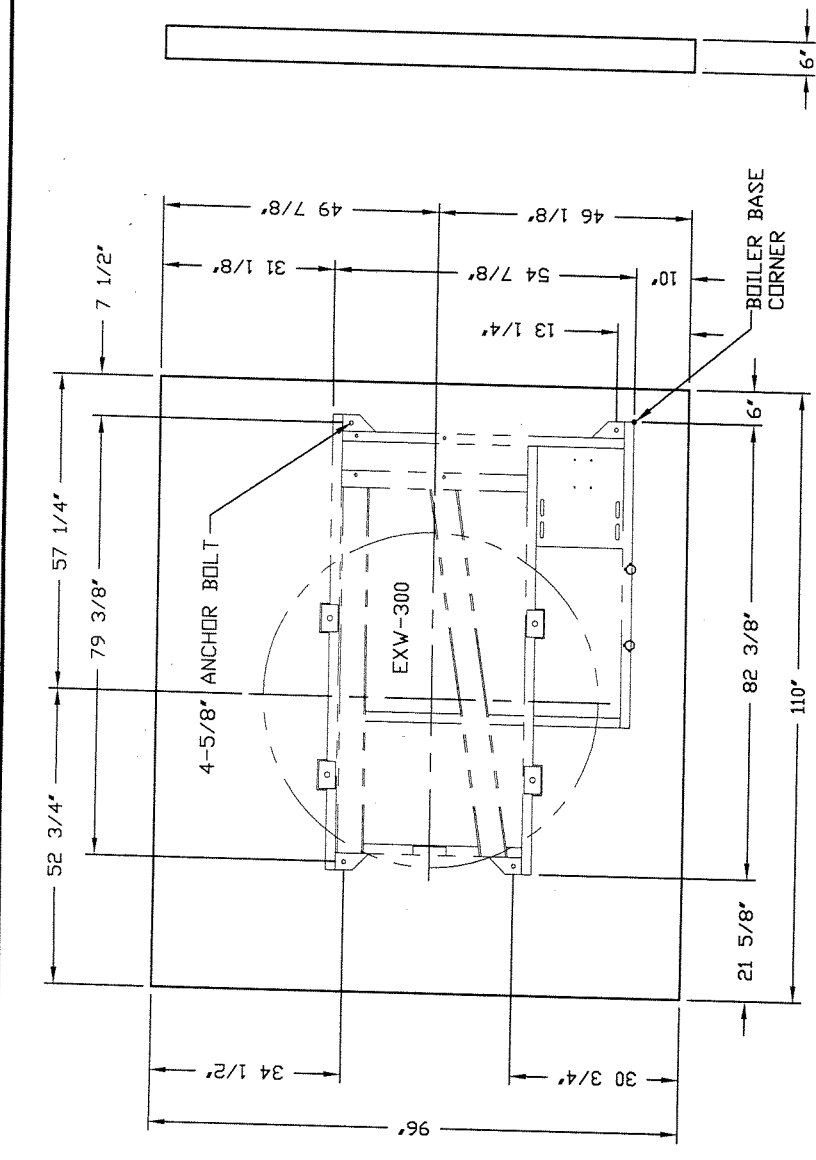
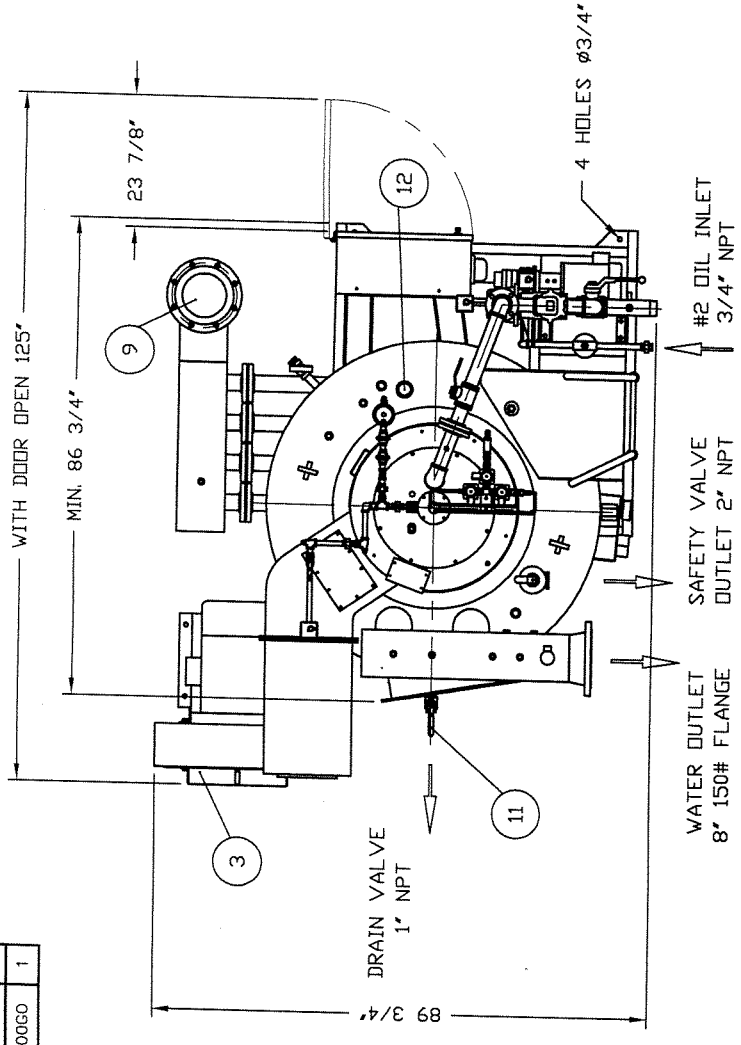


APP. TYPE	QTY
EXW-30000	1



BOILER FOUNDATION

NOTE:

- 1) DIMENSIONS & SPECIFICATIONS ARE SUBJECT TO CHANGE WITHOUT NOTICE.
- 2) MINIMUM DIMENSIONS AS SHOWN, DO NOT INCLUDE ITEM 2, 3, 7, 9, 11 & 14.
- 3) LADDER, WATER INLET PIPE, FLOW SWITCH, BLOWER AND ASSEMBLY PARTS ARE SHIPPED SEPARATELY.

FOR REFERENCE

14	MAIN GAS TRAIN	2 1/2"	1			
13	INSPECTION HOLE (SIDE)	2"	2			
12	INSPECTION HOLE (TOP)	2"	1			
11	DRAIN VALVE	1"	1			
10	MAIN SAFETY VALVE	1 1/2" x G x 2"	1			
9	WATER INLET	8"	1			
8	WATER OUTLET	8"	1			
7	LADDER		1			
6	OIL PUMP		1			
5	WIND BOX		1			
4	CONTROL BOX		1			
3	BLOWER		1			
2	AIR DUCT		1			
1	BOILER VESSEL		1			

DWN: TRAM	CK'D:	SCALE: NON	DO NOT SCALE
DATE: APR.01, 02	APPROVED: [Signature]	THIRD ANGLE SYSTEM	DIM'N SHOWN ARE INCH
SYM	REVISION	DESCRIPTION: BOILER ASS'Y OUTSIDE VIEW	DRAWING NUMBER A000-EW30-0N03

CAD DWG - NO MANUAL CHANGES PERMITTED

"CONFIDENTIAL"
THIS MATERIAL IS THE PROPERTY OF MIRA BOILER CO. LTD., AND MUST NOT BE REPRODUCED, PUBLISHED OR DISCLOSED TO OTHERS WITHOUT AUTHORIZATION.