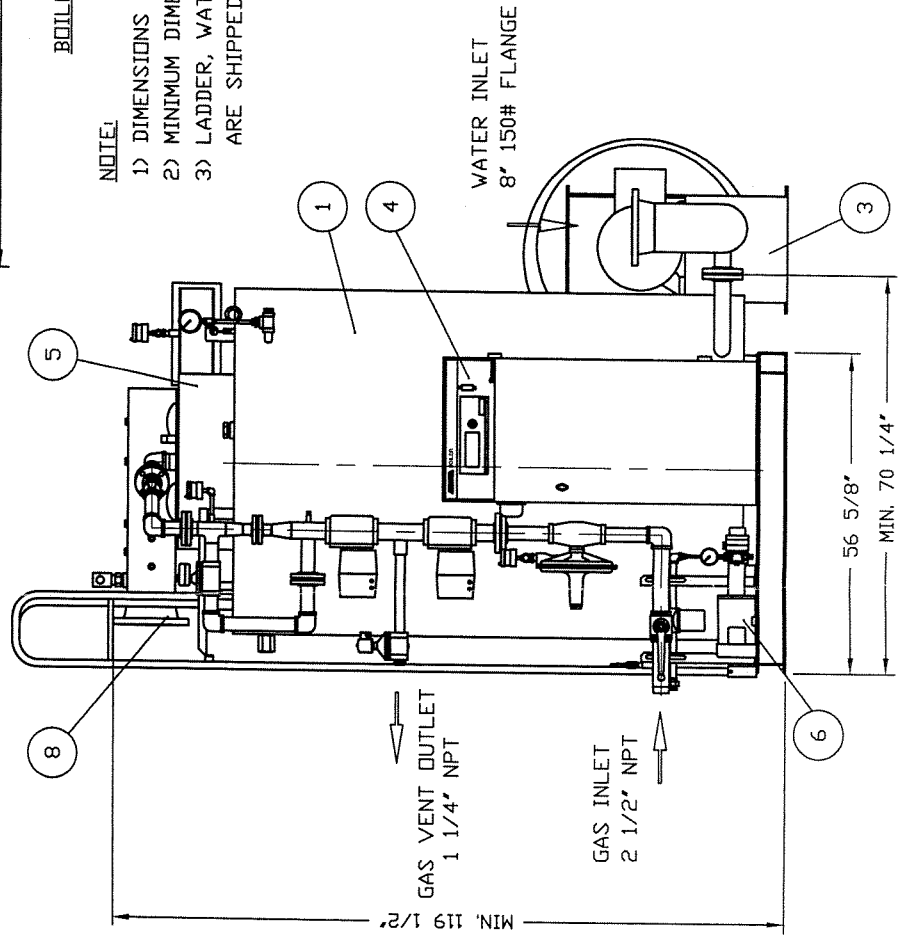
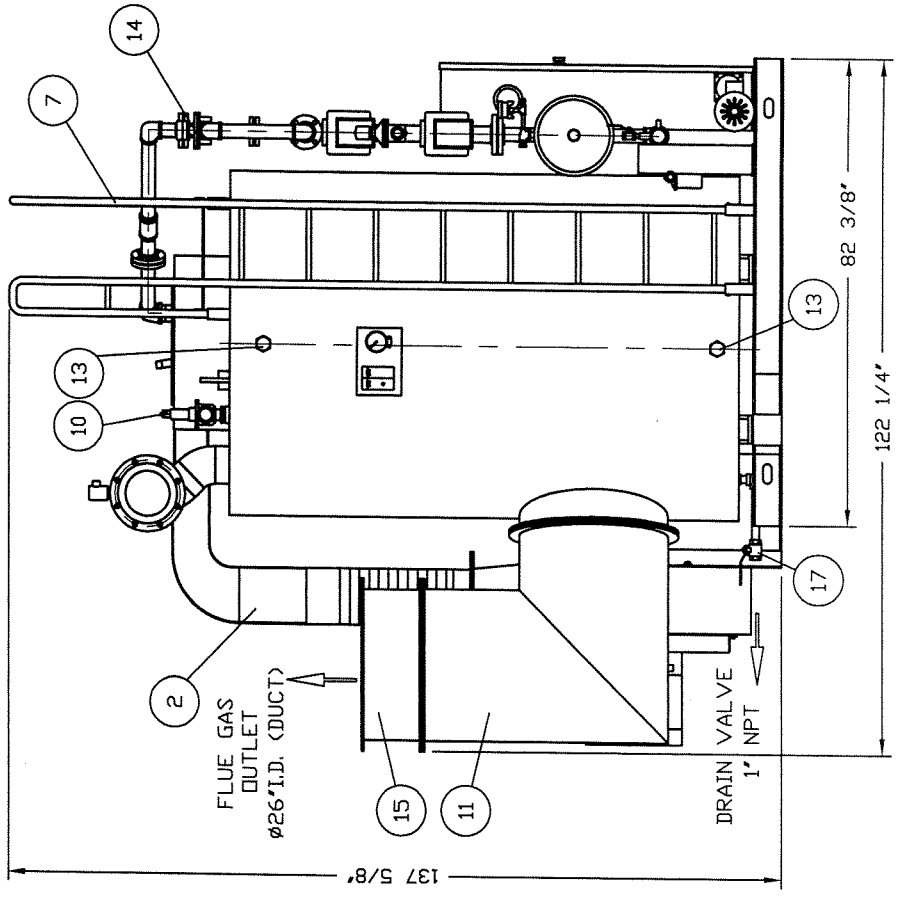
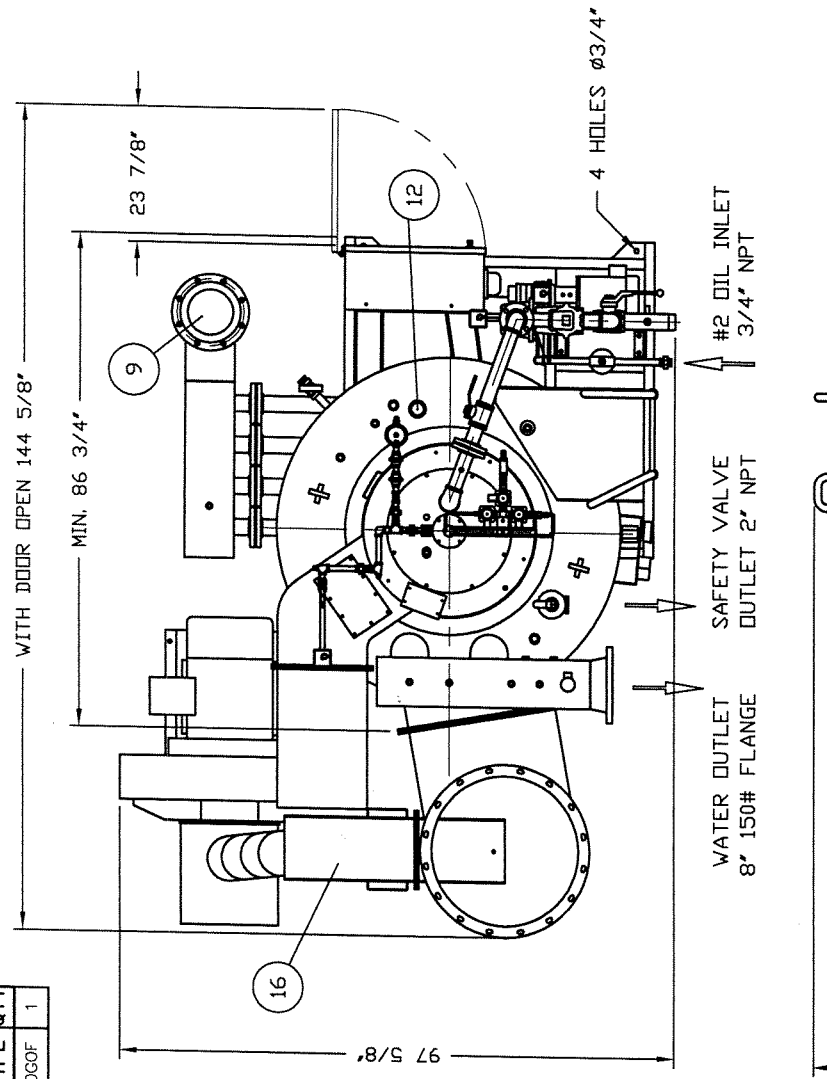


APP. TYPE	QTY
EXW-300GOF	1



**NOTE:**  
 1) DIMENSIONS & SPECIFICATIONS ARE SUBJECT TO CHANGE WITHOUT NOTICE.  
 2) MINIMUM DIMENSIONS AS SHOWN, DO NOT INCLUDE ITEM 2, 3, 7, 9, 11, 14, 15, 16 & 17.  
 3) LADDER, WATER INLET PIPE, FLOW SWITCH, BLOWER AND ASSEMBLY PARTS ARE SHIPPED SEPARATELY.

**BOILER FOUNDATION**

NO.	NAME OF PART	MATERIAL	QTY	REMARKS / DRAWING #
17	DRAIN VALVE		1	1"
16	DAMPER DUCT		1	
15	FGR CHIMNEY		1	
14	MAIN GAS TRAIN		1	2 1/2"
13	INSPECTION HOLE (SIDE)		2	2"
12	INSPECTION HOLE (TOP)		1	2"
11	CHIMNEY ELBOW		1	Ø26" I.D.
10	MAIN SAFETY VALVE		1	1 1/2" x G x 2"
9	WATER INLET		1	8"
8	WATER OUTLET		1	8"
7	LADDER		1	
6	OIL PUMP		1	
5	WIND BOX		1	
4	CONTROL BOX		1	
3	BLOWER		1	
2	AIR DUCT		1	
1	BOILER VESSEL		1	

DWN.: TRAM	CK'D.:	SCALE: NON	DO NOT SCALE
DATE: NOV.29,04	APPROVED: <i>Logu</i>	THIRD ANGLE SYSTEM	DIM'N SHOWN ARE INCH
DESCRIPTION: <b>MURA BOILER CO., LTD.</b>		DRAWING NUMBER	
CAD DWG - NO MANUAL CHANGES PERMITTED		A000-EW30-0F00	

"CONFIDENTIAL"  
 THIS MATERIAL IS THE PROPERTY OF MURA BOILER CO., LTD.,  
 AND MUST NOT BE REPRODUCED, PUBLISHED OR DISCLOSED TO  
 OTHERS WITHOUT AUTHORIZATION.