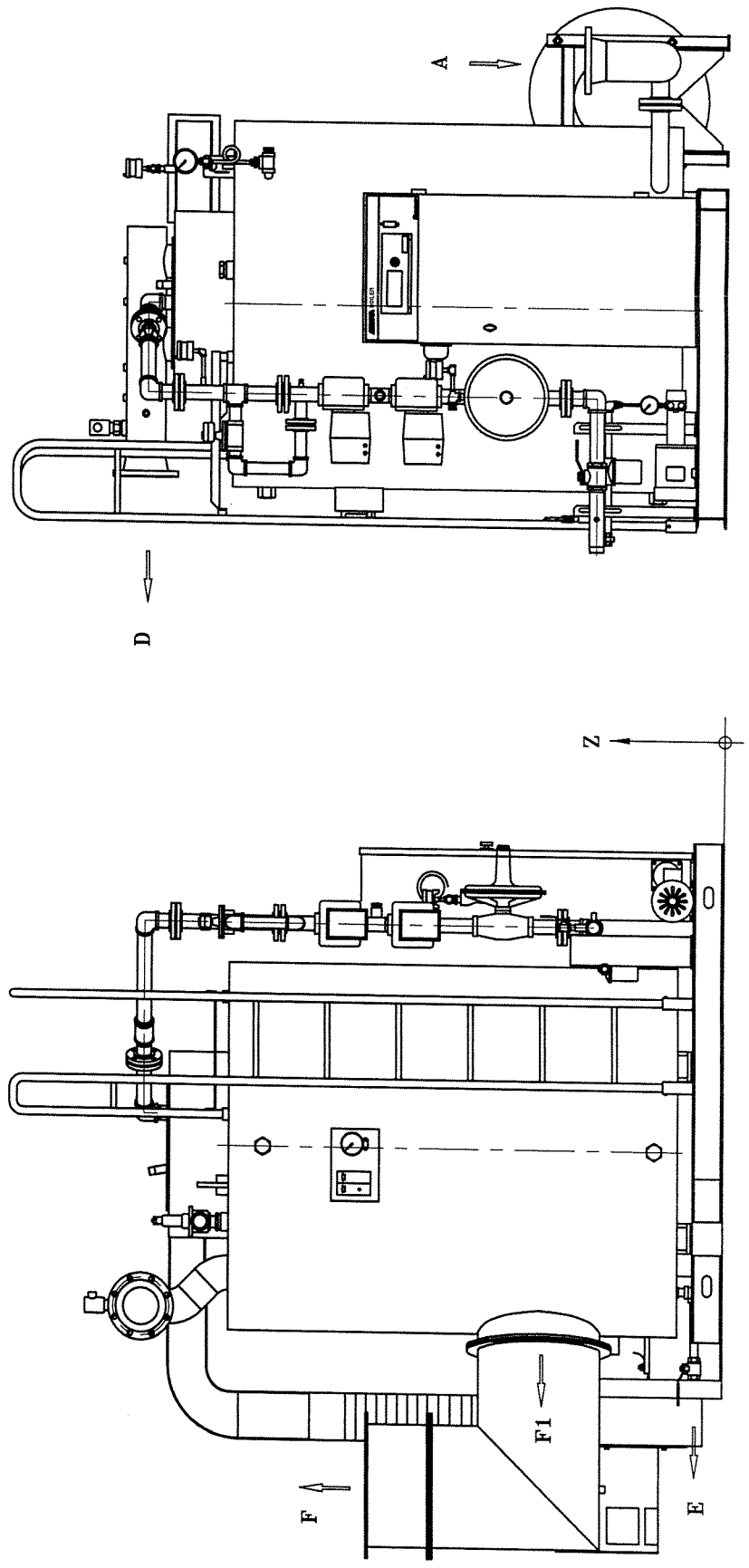
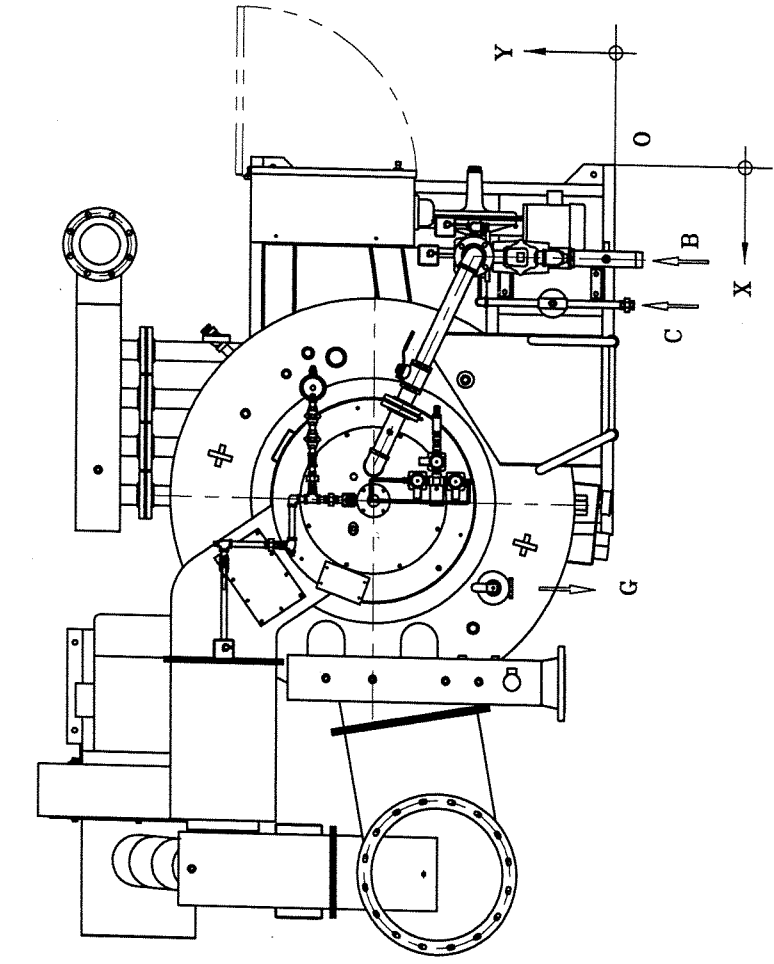


APP. TYPE	QTY
EXW-200	1



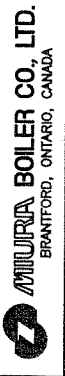
NOTE:

- 1) THIS DRAWING ILLUSTRATED WITH A F.G.R.
- 2) DIMENSIONS AND SPECIFICATIONS ARE SUBJECT TO CHANGE WITHOUT NOTICE.
- 3) GAS VENT PIPING SHALL BE ENFORCED IN ACCORDANCE WITH LOCAL REGULATION.
- 4) THE CHIMNEY FLANGE (ø24"O.D., ø19 3/4" I.D.) IS SHIPPED WITH THE BOILER, WHEN F OR F1 IS SUPPLIED.

LEGEND	DIMENSION (INCHES)			SIZE
	X	Y	Z	
A	13 5/8	77 3/8	23 7/8	6" FLANGE
B	14 1/8	-4 1/4	21 1/2	2" NPT
C	21	-3	19 5/8	3/4" NPT
D	77 7/8	7 1/4	97 1/4	6" FLANGE
E	88 3/8	36 1/4	4 1/2	1" NPT
F	106 3/4	26 3/8	59 3/8	ø20"ID DUCT
F1	83 3/4	30 1/2	30 3/8	ø20"ID DUCT
G	63 7/8	15 1/8	87 1/4	2" NPT
O	0	0	0	-

"CONFIDENTIAL"
 THIS MATERIAL IS THE PROPERTY OF MIURA BOILER CO., LTD.,
 AND MUST NOT BE REPRODUCED, PUBLISHED OR DISCLOSED TO
 OTHERS WITHOUT AUTHORIZATION.

CAD DWG - NO MANUAL CHANGES PERMITTED



DESCRIPTION:
 ORIENTATION OF IN & OUTLET

SYM REVISION DATE BY

DATE: NOV.29,2004 APPROVED: *X* *03/24*

THIRD ANGLE SYSTEM

SCALE: 1:30 DO NOT SCALE

NO NAME OF PART MATERIAL QTY REMARKS / DRAWING #

DWN.: TRAM CK'D.: SCALE: 1:30 DO NOT SCALE

DIM'N SHOWN ARE INCH

DRAWING NUMBER
 A000-EW20-OR03