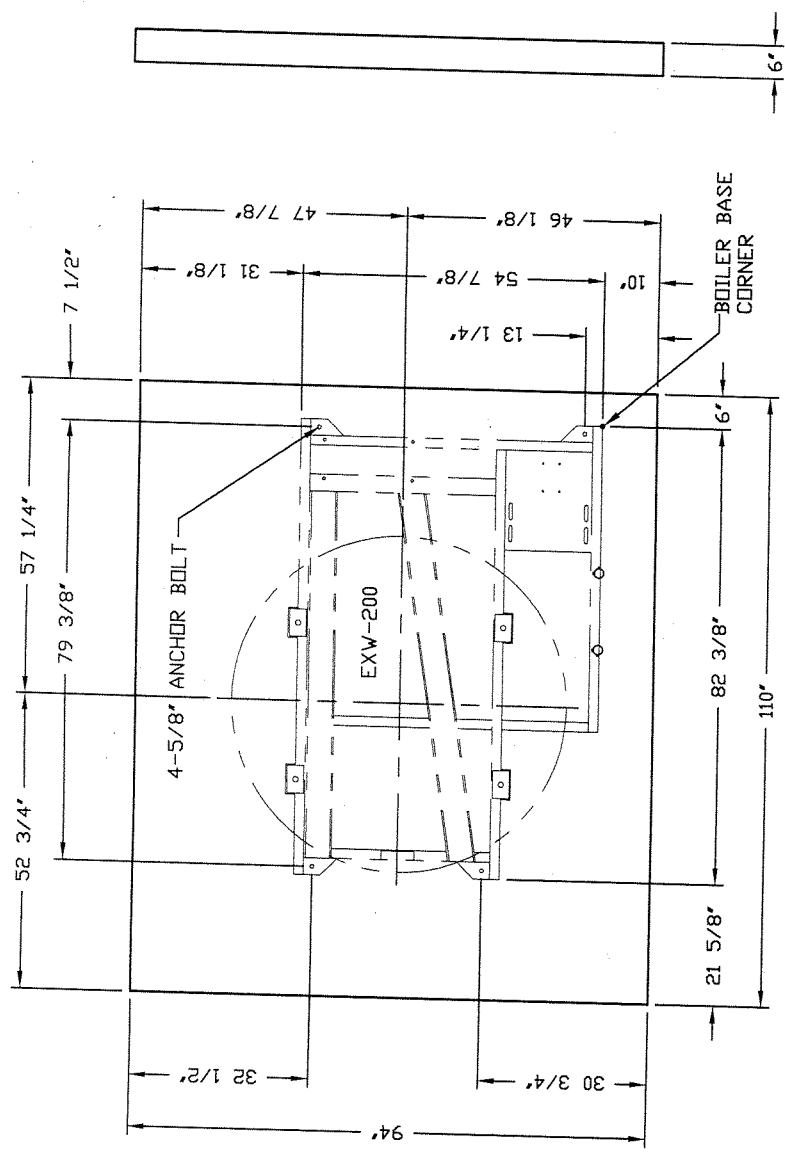
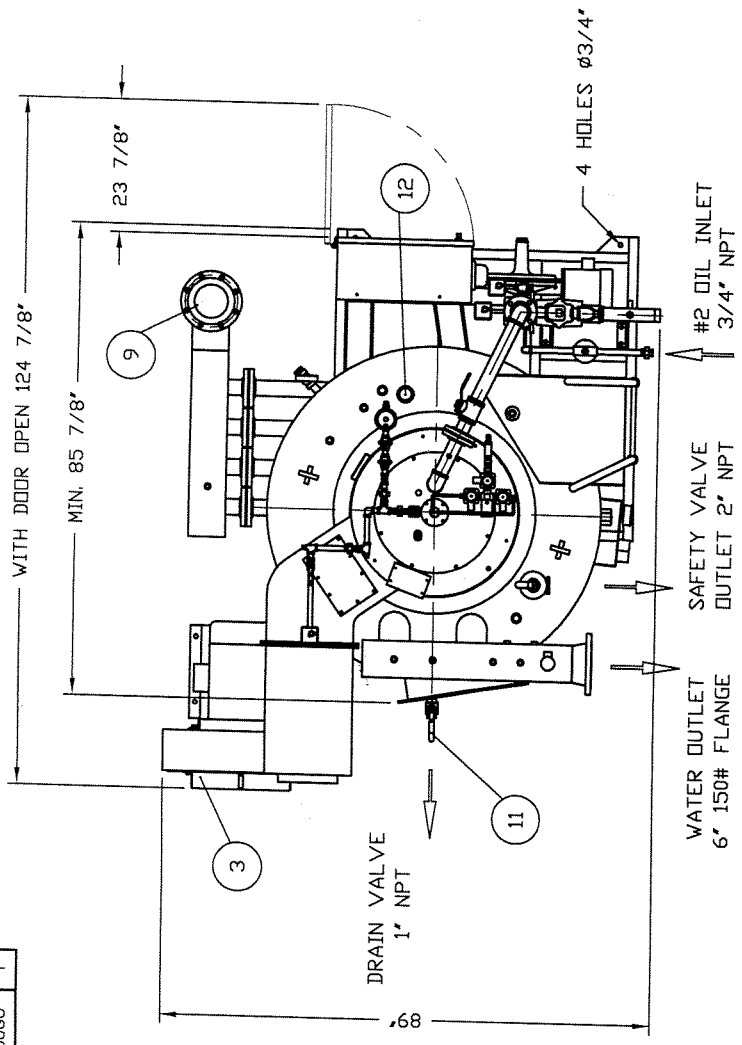
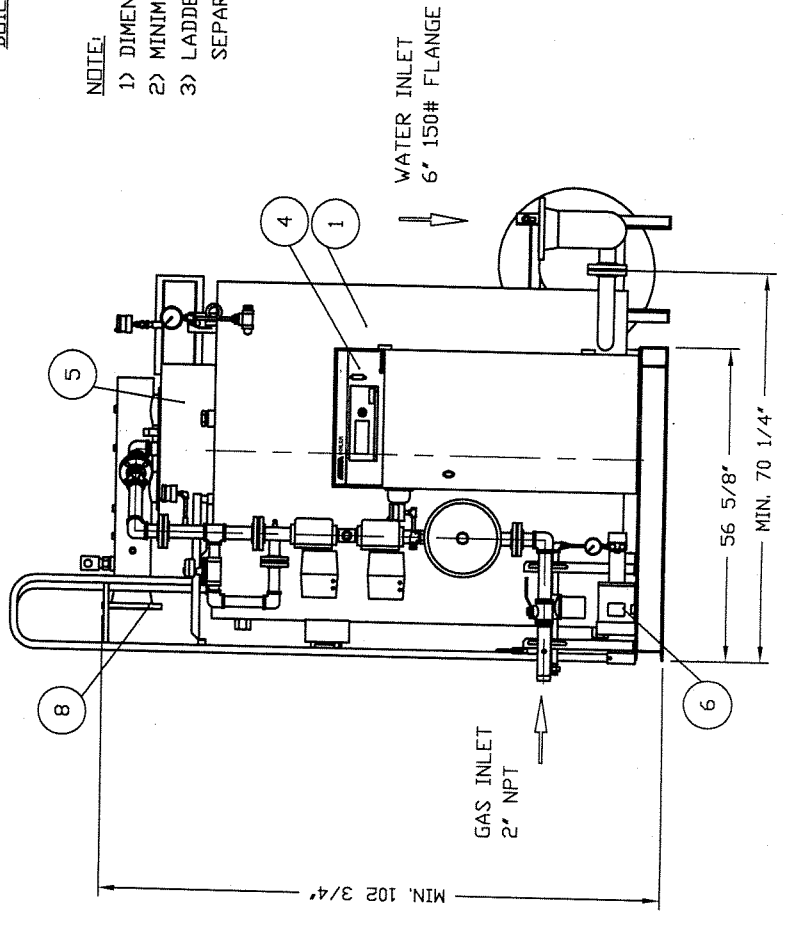
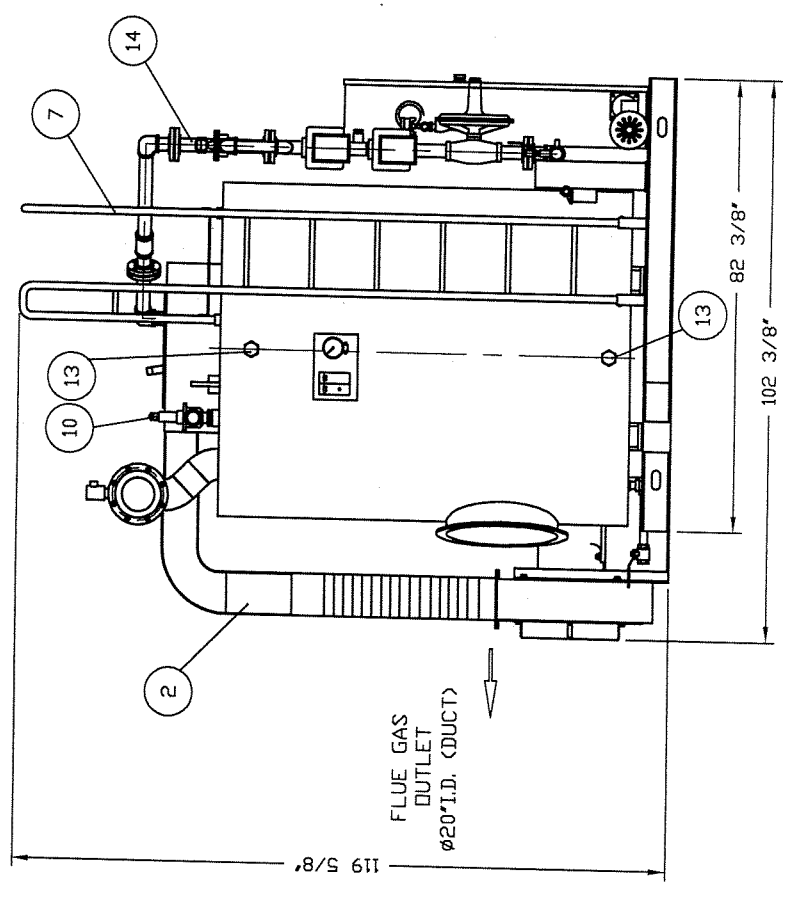


APP. TYPE	QTY
EXW-200GO	1



BOILER FOUNDATION



NOTE:

- 1) DIMENSIONS & SPECIFICATIONS ARE SUBJECT TO CHANGE WITHOUT NOTICE.
- 2) MINIMUM DIMENSIONS AS SHOWN, DO NOT INCLUDE ITEM 2, 3, 7, 9, 11 & 14.
- 3) LADDER, WATER INLET PIPE, BLOWER AND ASSEMBLY PARTS ARE SHIPPED SEPARATELY.

FOR REFERENCE

NO.	NAME OF PART	MATERIAL	QTY	REMARKS / DRAWING #
14	MAIN GAS TRAIN		1	2"
13	INSPECTION HOLE (SIDE)		2	2"
12	INSPECTION HOLE (TOP)		1	2"
11	DRAIN VALVE		1	1"
10	MAIN SAFETY VALVE		1	1 1/2" x G x 2"
9	WATER INLET		1	6"
8	WATER OUTLET		1	6"
7	LADDER		1	
6	OIL PUMP		1	
5	WIND BOX		1	
4	CONTROL BOX		1	
3	BLOWER		1	
2	AIR DUCT		1	
1	BOILER VESSEL		1	

"CONFIDENTIAL"
THIS MATERIAL IS THE PROPERTY OF MIRA BOILER CO., LTD.,
AND MUST NOT BE REPRODUCED, PUBLISHED OR DISCLOSED TO
OTHERS WITHOUT AUTHORIZATION.

SYM	REVISION	DATE	BY

DWG: TRAM	CK'D:	APPROVED:	DATE: APR. 01, 02
SCALE: NON	THIRD ANGLE SYSTEM	DO NOT SCALE	
CAD DWG - NO MANUAL CHANGES PERMITTED			
DESCRIPTION: BOILER ASS'Y OUTSIDE VIEW			
DRAWING NUMBER: A000-EW20-0N02			