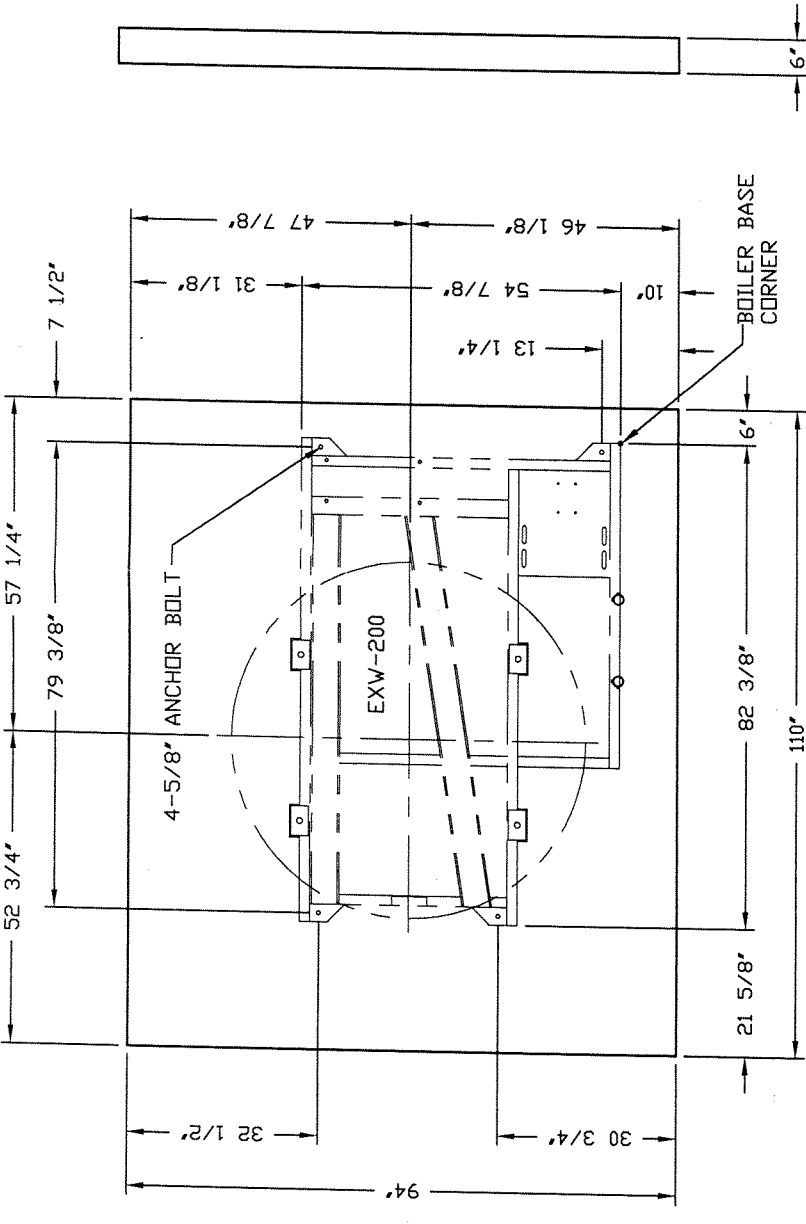
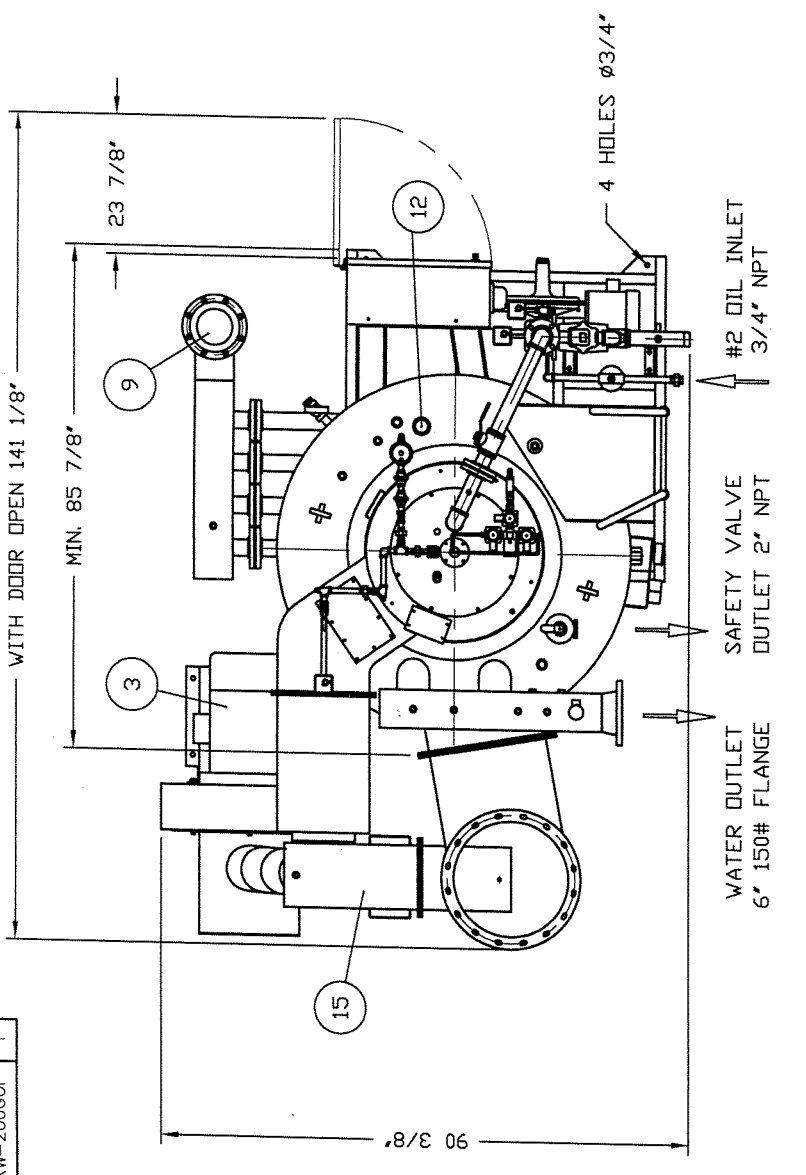
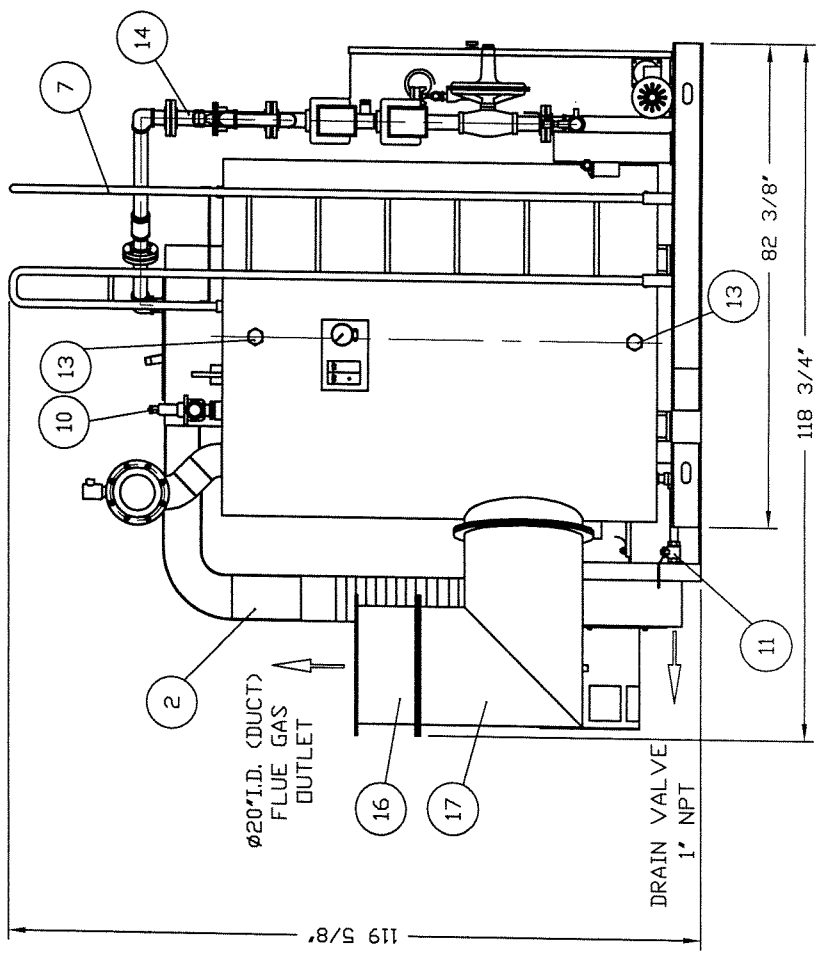
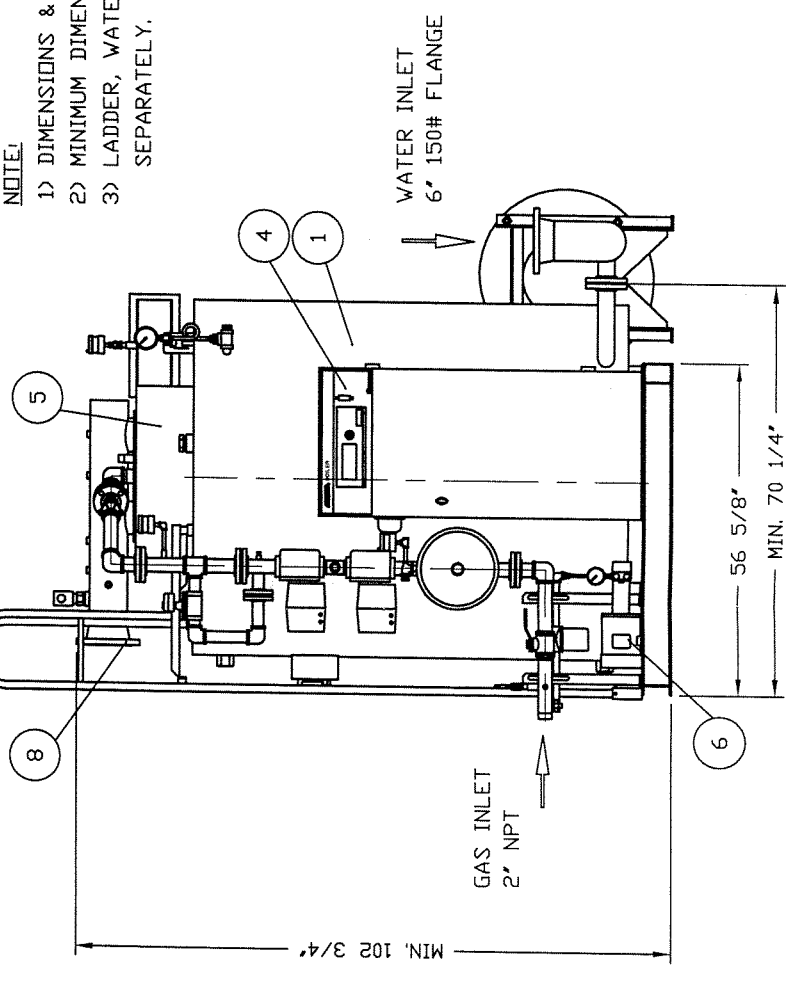


APP. TYPE	QTY
EXW-200COF	1



**BOILER FOUNDATION**



**NOTE:**

- 1) DIMENSIONS & SPECIFICATIONS ARE SUBJECT TO CHANGE WITHOUT NOTICE.
- 2) MINIMUM DIMENSIONS AS SHOWN, DO NOT INCLUDE ITEM 2, 3, 7, 9, 11, 14, 15, 16 & 17.
- 3) LADDER, WATER INLET PIPE, BLOWER AND ASSEMBLY PARTS ARE SHIPPED SEPARATELY.

NO.	NAME OF PART	MATERIAL	QTY	REMARKS / DRAWING #
17	CHIMNEY ELBOW		1	ø20" I.D.
16	FGR CHIMNEY		1	
15	DAMPER DUCT		1	
14	MAIN GAS TRAIN		1	2"
13	INSPECTION HOLE (SIDE)		2	2"
12	INSPECTION HOLE (TOP)		1	2"
11	DRAIN VALVE		1	1"
10	MAIN SAFETY VALVE		1	1 1/2" x G x 2"
9	WATER INLET		1	6"
8	WATER OUTLET		1	6"
7	LADDER		1	
6	OIL PUMP		1	
5	WIND BOX		1	
4	CONTROL BOX		1	
3	BLOWER		1	
2	AIR DUCT		1	
1	BOILER VESSEL		1	

DWN: TRAM    CK'D:    SCALE: NON    DO NOT SCALE  
 DATE: NOV.29,2004    APPROVED: *Royu*    THIRD ANGLE SYSTEM    DIM'N SHOWN ARE INCH  
**MURA BOILER CO. LTD.**    DESCRIPTION: **BOILER ASSY OUTSIDE VIEW**    DRAWING NUMBER: **A000-EW20-0F00**  
BOILER CO. ONTARIO, CANADA

SYM    REVISION    DATE    BY  
**CAD DWG - NO MANUAL CHANGES PERMITTED**

"CONFIDENTIAL"  
 THIS MATERIAL IS THE PROPERTY OF MURA BOILER CO., LTD.,  
 AND MUST NOT BE REPRODUCED, PUBLISHED OR DISCLOSED TO  
 OTHERS WITHOUT AUTHORIZATION.