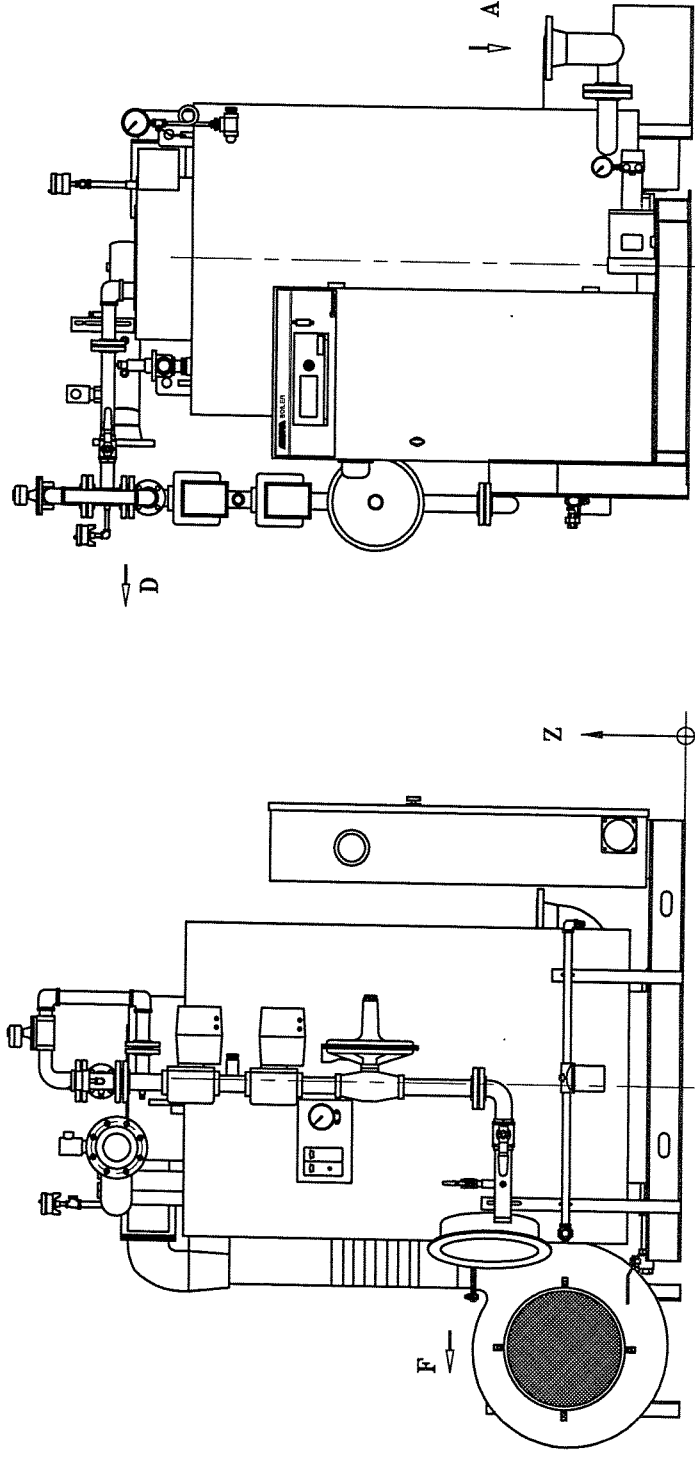
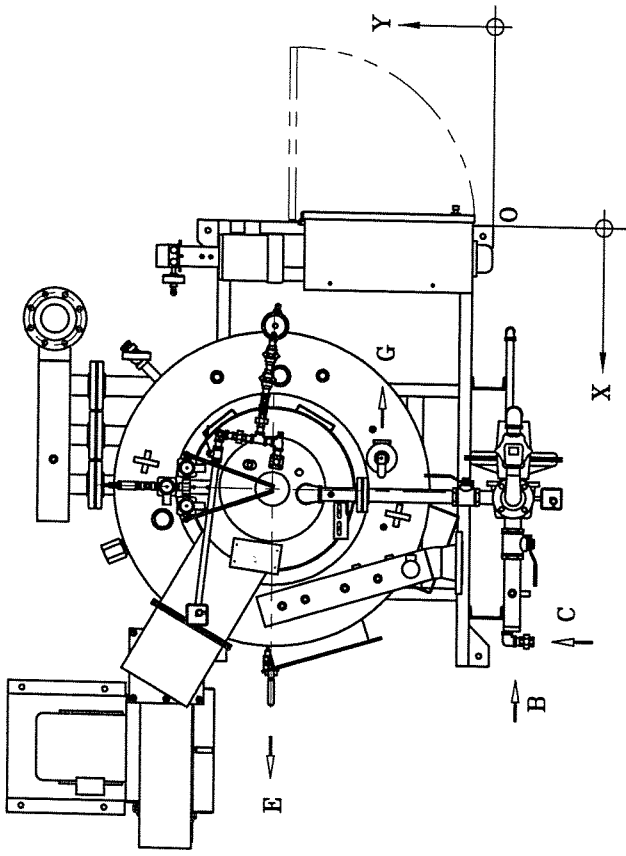


APP. TYPE	QTY
EXW-100	1



NOTE:

- 1) DIMENSIONS AND SPECIFICATIONS ARE SUBJECT TO CHANGE WITHOUT NOTICE.
- 2) THE CHIMNEY FLANGE (ø18"O.D., ø13 3/4"i.d.) IS SHIPPED WITH THE BOILER.
- 3) GAS VENT PIPING SHALL BE ENFORCED IN ACCORDANCE WITH LOCAL REGULATION.

LEGEND	DIMENSION (INCHES)			SIZE
	X	Y	Z	
A WATER INLET	14 3/4	63 3/8	21 3/8	4" FLANGE
B SUPPLY GAS INLET	58 3/4	-3 3/8	25 7/8	2" NPT
C #2 OIL INLET	60 1/4	-6 1/2	16 3/4	3/4" NPT
D WATER OUTLET	49	4	82 5/8	4" FLANGE
E BOTTOM DRAIN	66	31 3/4	5	1" NPT
F FLUE GAS OUTLET	62 7/8	24 3/8	27 3/4	ø14"ID DUCT
G MAIN SAFETY VALVE OUTLET	31 1/4	15 7/8	76 3/4	1 1/2" NPT
O BOILER CORNER	0	0	0	-

FOR REFERENCE

NO	NAME OF PART	MATERIAL	QTY	REMARKS / DRAWING #
DWN.: TRAM	CK'D:	SCALE: 1:28		DO NOT SCALE
DATE: MAR.06, 02	APPROVED:	THIRD ANGLE SYSTEM	DIM'N SHOWN ARE INCH	
 MIRA BOILER CO. LTD. BRANTFORD, ONTARIO, CANADA		DESCRIPTION:		DRAWING NUMBER
CAD DWG - NO MANUAL CHANGES PERMITTED		ORIENTATION OF IN & OUTLET		A000-EW10-OR01
"CONFIDENTIAL"		THIS MATERIAL IS THE PROPERTY OF MIRA BOILER CO., LTD., AND MUST NOT BE REPRODUCED, PUBLISHED OR DISCLOSED TO OTHERS WITHOUT AUTHORIZATION.		