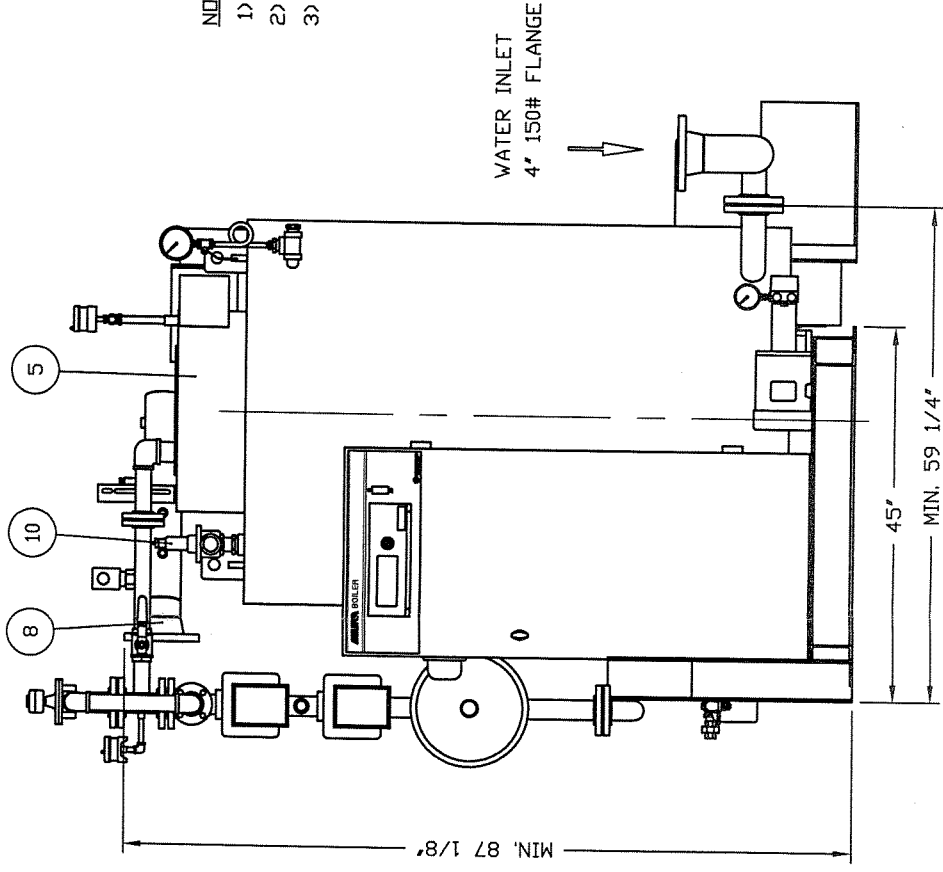
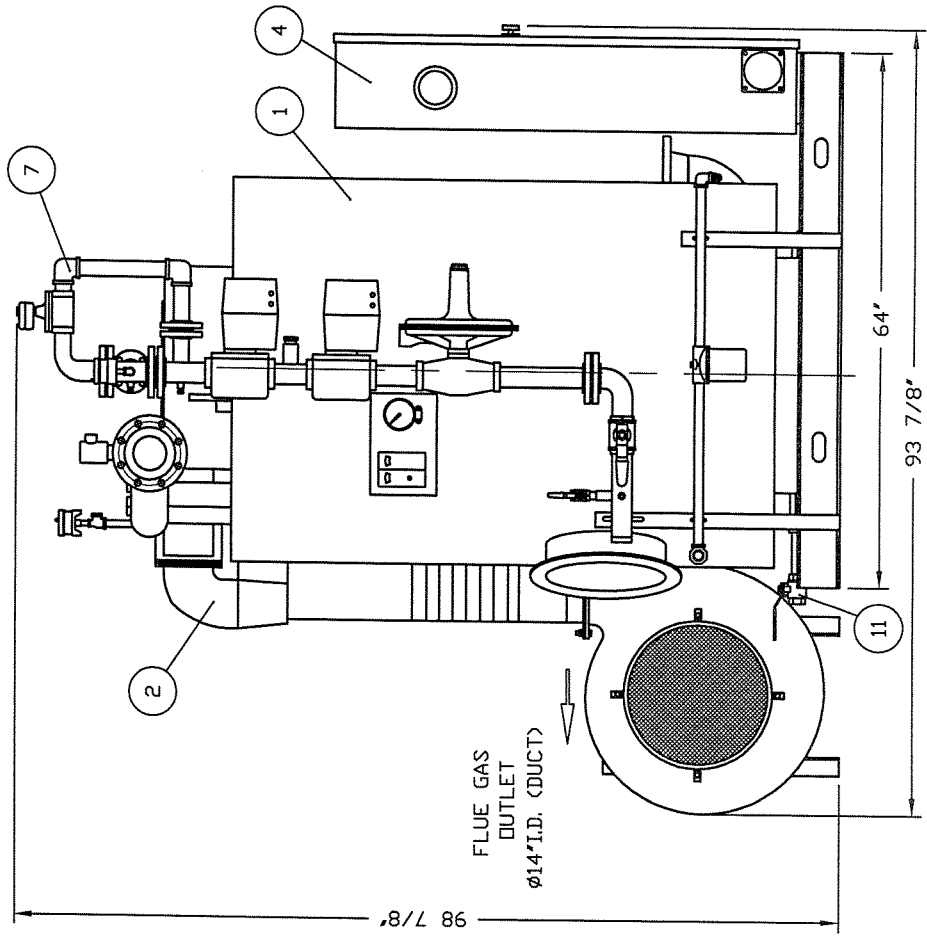
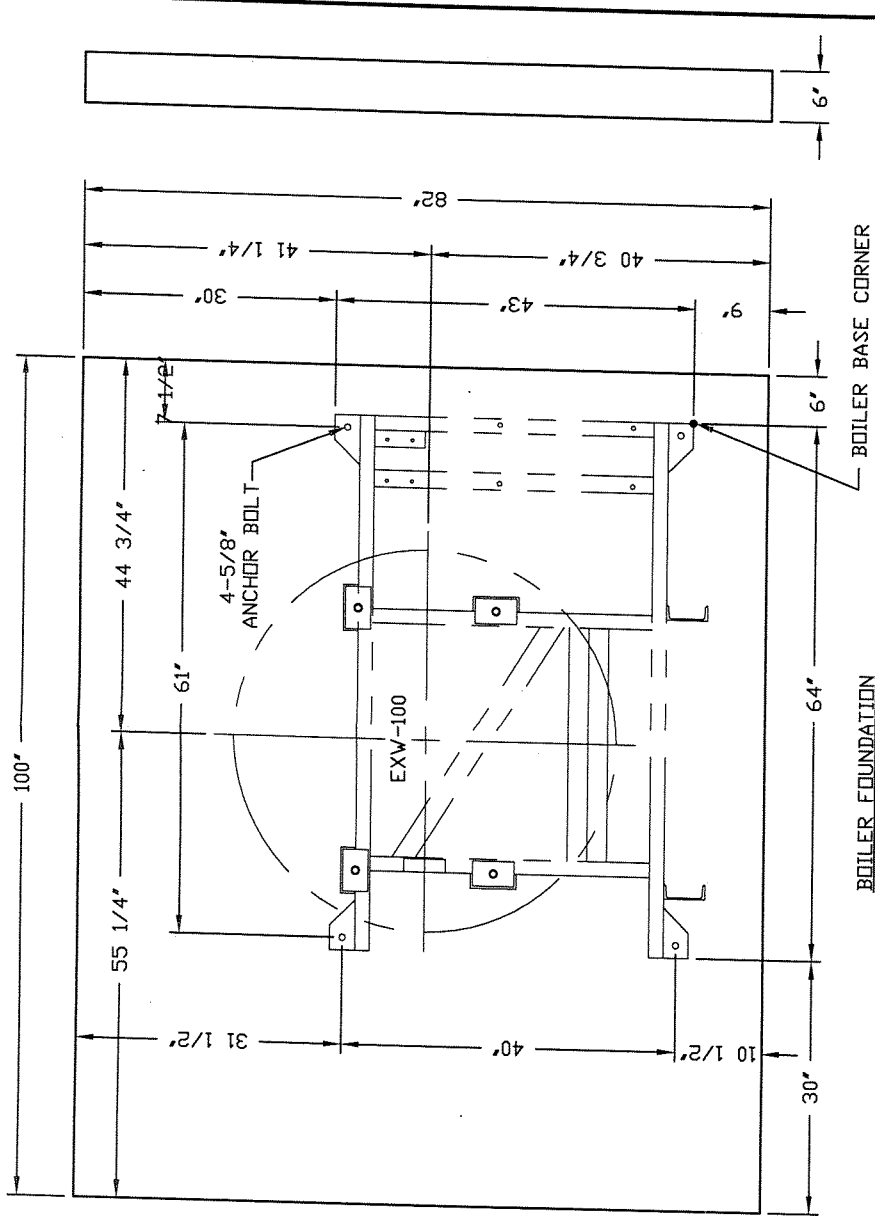
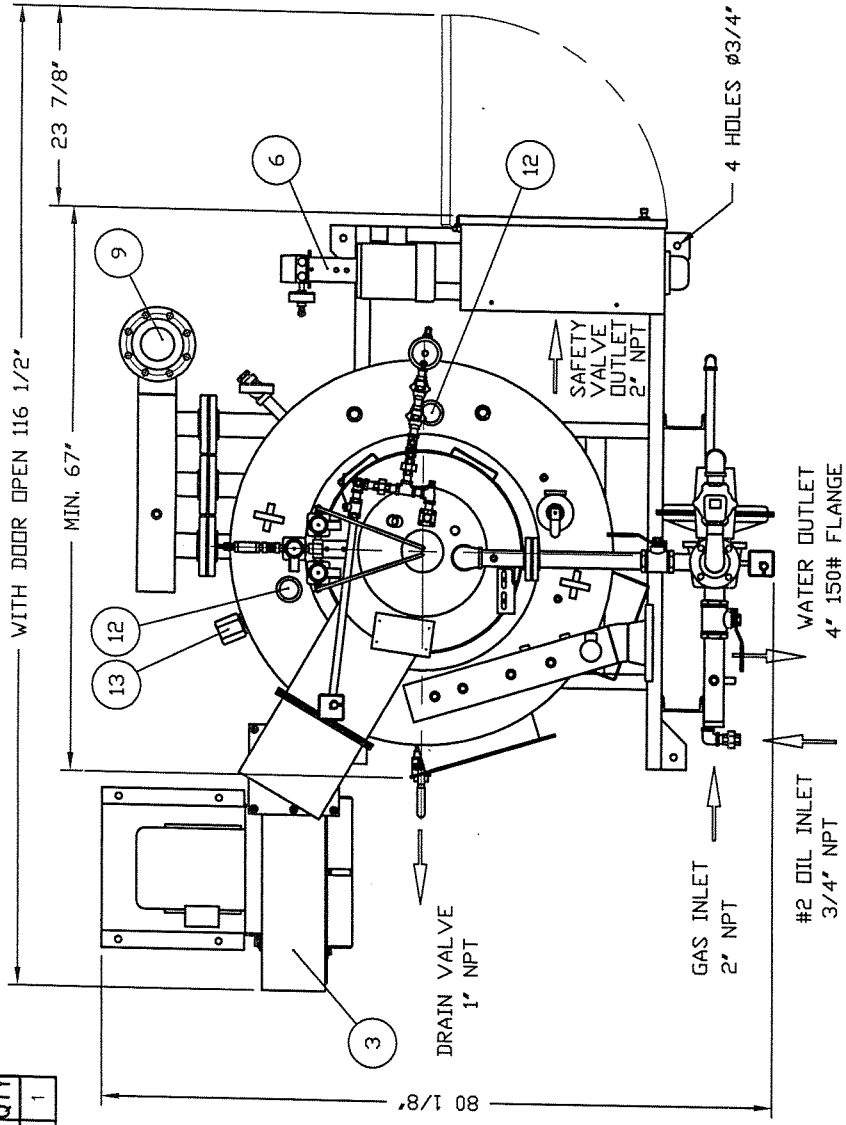


APP. TYPE	QTY
EXW-100GO	1



## FOR REFERENCE

### NOTE:

- 1) DIMENSIONS & SPECIFICATIONS ARE SUBJECT TO CHANGE WITHOUT NOTICE.
- 2) MINIMUM DIMENSIONS AS SHOWN, DO NOT INCLUDE ITEM 2, 3, 7, 9 & 11.
- 3) WATER INLET PIPE, BLOWER AND ASSEMBLY PARTS ARE SHIPPED SEPARATELY.

NO.	NAME OF PART	MATERIAL	QTY	REMARKS / DRAWING #
13	INSPECTION HOLE (SIDE)		2	2"
12	INSPECTION HOLE (TOP)		2	2"
11	DRAIN VALVE		1	1"
10	MAIN SAFETY VALVE		1	1 1/2" x G x 2"
9	WATER INLET		1	4"
8	WATER OUTLET		1	4"
7	MAIN GAS TRAIN		1	2"
6	OIL PUMP		1	
5	WIND BOX		1	
4	CONTROL BOX		1	
3	BLOWER		1	
2	AIR DUCT		1	
1	BOILER VESSEL		1	

DWN: TRAM	CK'D:	SCALE: NON	DO NOT SCALE
DATE: MAR. 06, 02	APPROVED:	THIRD ANGLE SYSTEM	DIM'N SHOWN ARE INCH
SYMBOL	REVISION	DATE	BY
CAD DWG - NO MANUAL CHANGES PERMITTED			
DESCRIPTION: BOILER ASS'Y OUTSIDE VIEW			
DRAWING NUMBER: A000-EW10-0101			

"CONFIDENTIAL"  
THIS MATERIAL IS THE PROPERTY OF MURA BOILER CO., LTD.,  
AND MUST NOT BE REPRODUCED, PUBLISHED OR DISCLOSED TO  
OTHERS WITHOUT AUTHORIZATION.